

# CHORE-TIME®

## Nipple Drinker Height Guidelines

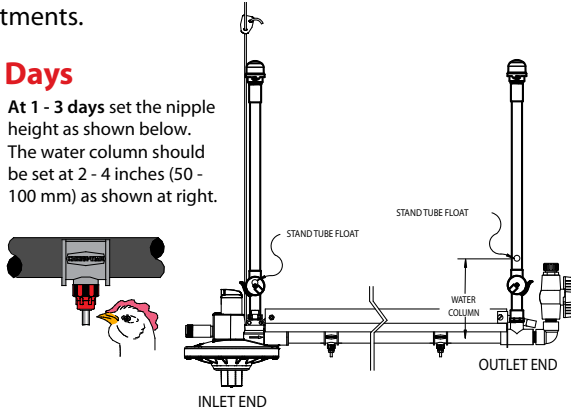
See Chore-Time's Installation and Operation Manual for Complete Details

Floor conditions are a good indication of adequate or deficient water supply. If the floors are wet, the water column may be too high. If the floors are dry, the water column may be too low.

**IMPORTANT NOTE:** These are general guidelines – your particular house environment may require different adjustments.

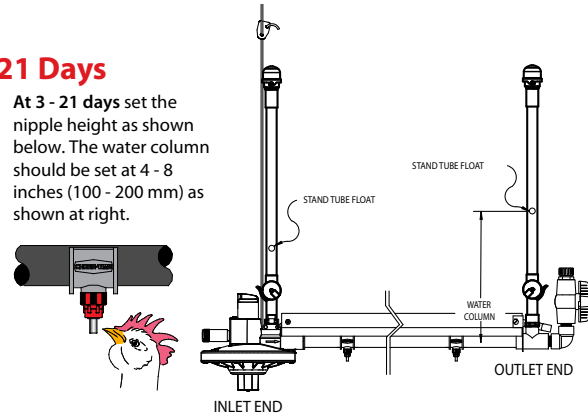
### 1 - 3 Days

At 1 - 3 days set the nipple height as shown below. The water column should be set at 2 - 4 inches (50 - 100 mm) as shown at right.



### 3 - 21 Days

At 3 - 21 days set the nipple height as shown below. The water column should be set at 4 - 8 inches (100 - 200 mm) as shown at right.



### 21 Days - Grow-Out

At 21 days to grow-out set the nipple height as shown below. The water column should be set at 8 - 22 inches (200 - 560 mm) as shown at right.

