



Feeder Control Pan Light

Part Number 54260

Introduction

The control pan light kit will provide additional light to the feeder control. This additional light is used to attract more bird activity to the control pan. The control pan light kit is available in 230 VAC.

The light kit uses a 9 watt LED bulb to provide a long working life. The 230 VAC light will be wired to operate any time power is applied to the feeder control pan.

Installation



DANGER: Always disconnect power to the system when servicing or maintaining the equipment. Failure to disconnect power may cause injury or death.

All electrical wiring must be done by a qualified electrician in accordance with local and national codes.

Mechanical Pan Installation

1. Drill a 7/8" [2.22cm] hole in the bottom of the plastic box see **Figure 1**.
2. Install the light assembly as shown using the conduit and 90° connectors.
3. Use the provided clamp (3527) to secure the light to the tube.

Drill a 7/8" [2.22cm] hole in plastic box

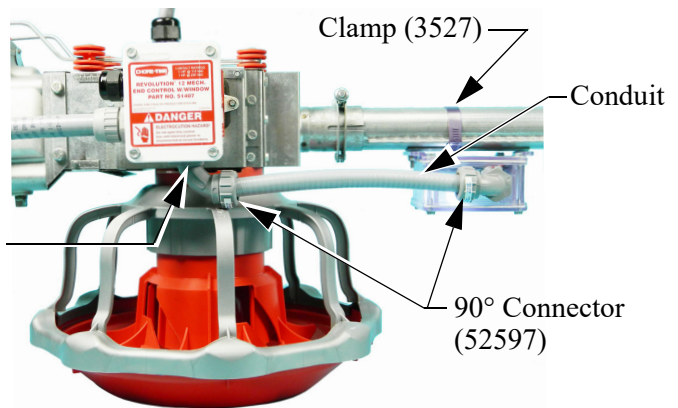


Figure 1. Light Kit Installation

Pan with Electronic Sensor Installation

1. Drill a 7/8" [2.22cm] hole in the plastic box see **Figure 2**.
2. Install the light assembly as shown using the conduit and 90° connectors.
3. Use the provided clamp (3527) to secure the light to the tube.

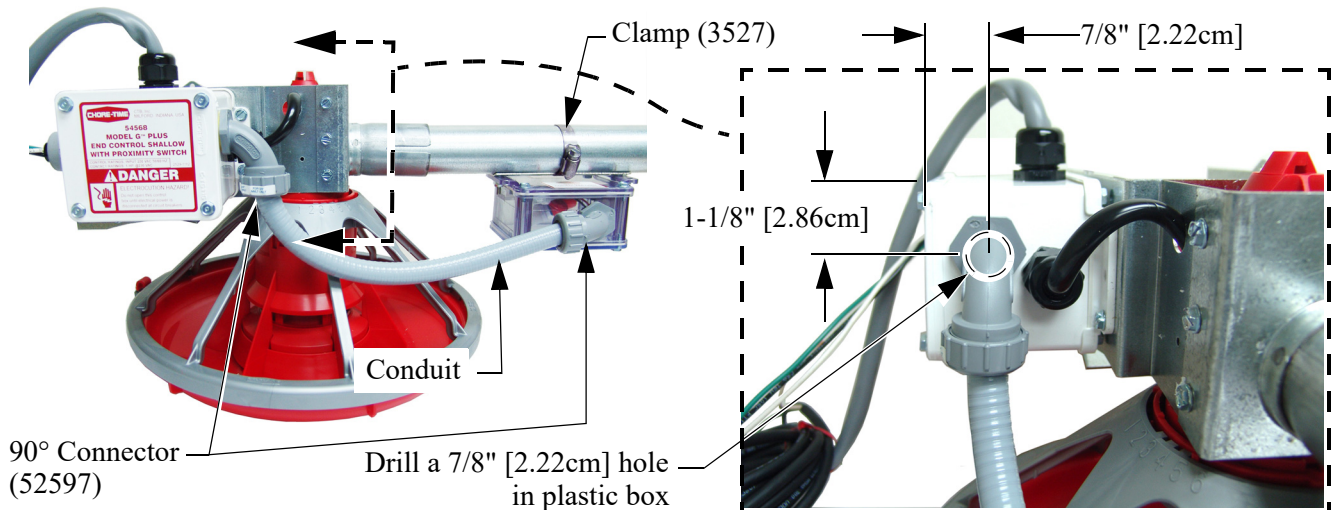
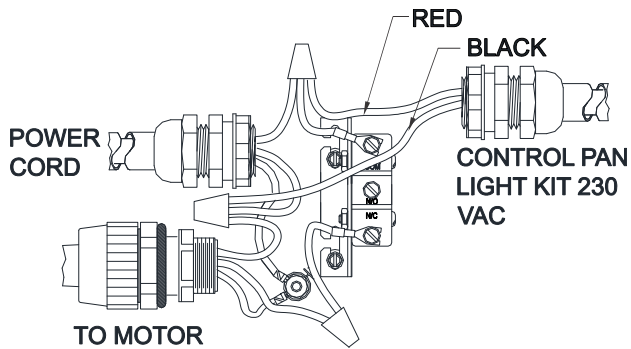


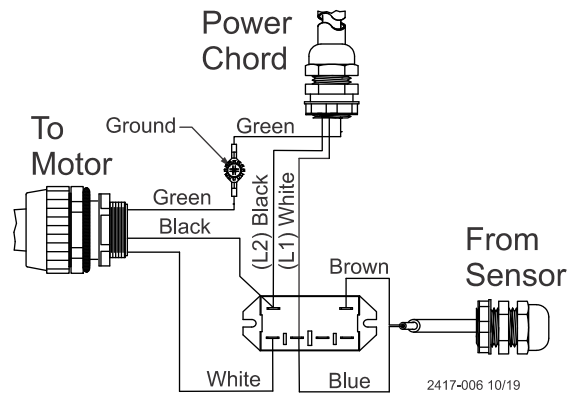
Figure 2. Light Kit Installation

Wiring 230 VAC

When using wire nuts, wrap the nut and the wires going into the nut with electrical tape.



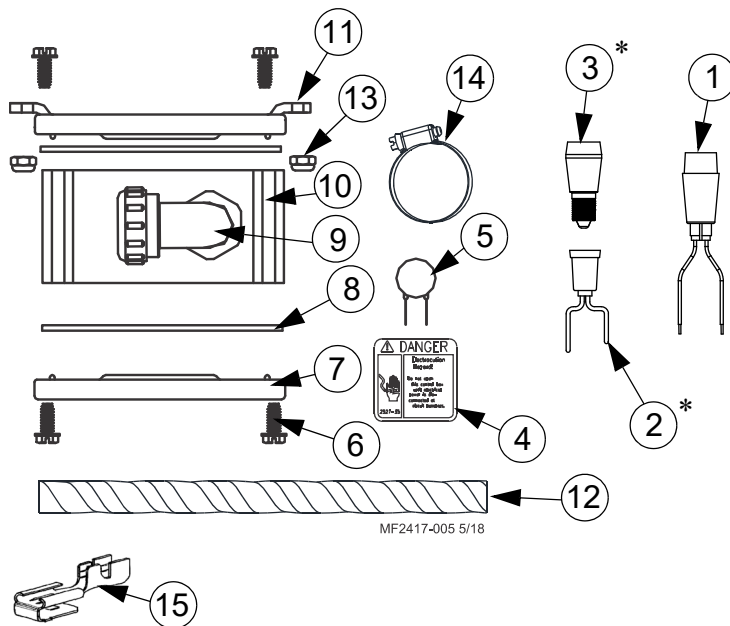
Feeder with Mechanical switch Wiring



Feeder with Electronic Sensor Wiring

Figure 3. Wiring

Control Pan Light 230 VAC Part No. 54260



Item	Description	Part No.
1	Led Bulb	55493
2*	E-12 Light Socket	53119
3*	9W 230V Replacement Bulb	55572
	9W 120V Replacement Bulb	52330-1
4	Danger Decal	2527-35
5	MOV	14063-1
6	#10 Twin Helix Screw	28075
7	Box Cover	6776C
8	Gasket	6777
9	90 Deg. 3/8 Connector	52597
10	Machined Box	6774C-1
11	Mount Cover	6956C
12	10" Conduit 3/8"	52325-10
13	#10 Lock Nut	34019
14	Band Clamp	3527
15	Tab Receptacle	9296

*Replacement for older Control Pan Lights

Revisions to this Manual

Page No.	Description of Change	ECO
1	Wiring Diagram Change	34569

Chore-Time Group, A division of CTB, Inc.
 PO Box 2000
 Milford, Indiana 46542-2000 USA
 Phone (574) 658-4101 Fax (877) 730-8825
 Email: choretime@choretime.com
 Internet: www.choretime.com