



# Folding Stand Tube

## Part Number 54517-0

### Important:

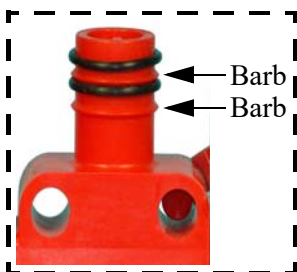
- Lubricate o-rings with water or soapy water. **DO NOT USE petroleum based lubricants!**
- Position all units so they will fold down in the direction of the water line.
- Clean the inside and outside of the stand tube at least once a week.
- **CAUTION** Failure to use the latch release could result in damage to the mechanism, voiding the warranty.

## Installation

### Installation at Regulator (Stand Tube 54517-8)

1. Install o-rings on Regulator (style of regulator varies) as shown in Figure 1.

**Style 1:** Place one (1) o-ring between the two (2) barbs and one (1) above the top barb.



**Style 2:** Place one (1) o-ring below the top barb and one (1) between the lower two (2) barbs.

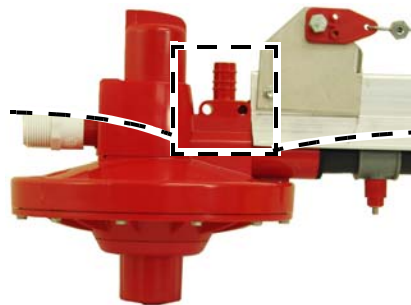
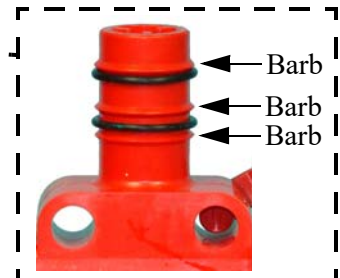
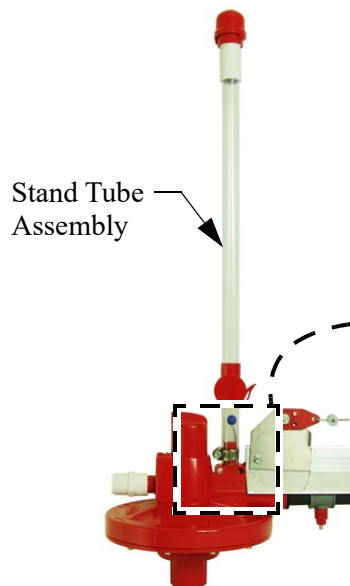


Figure 1.O-Ring Installation

2. Lubricate o-rings with water or soapy water. **DO NOT USE PETROLEUM BASED LUBRICANTS!**

3. Install the Stand Tube Assembly by pushing it down over the lubricated O-rings until it is against the top of the Regulator. Make sure that the O-rings are positioned properly. Locate the Clamp (7187) over both O-rings and tighten. **DO NOT LOCATE THE CLAMP BELOW THE O-RINGS!** Make sure the Stand Tube is secure, but do not over-tighten the Clamp.

Lubricate the O-rings with soapy water



Clamp (7187)



Figure 2.Lubricate O-Rings and attach Stand-Tube

### Installation at Midline / Slope Compensator Assembly (Stand Tube 54517-8)

1. Install an O-Ring on the Midline Vent Tube.
2. Slide a Tube Clamp onto a Stand Tube Assembly and Push it onto the Midline Air Remover or slope compensator vent tube.
3. Position the Tube Clamp over the O-Ring and tighten.

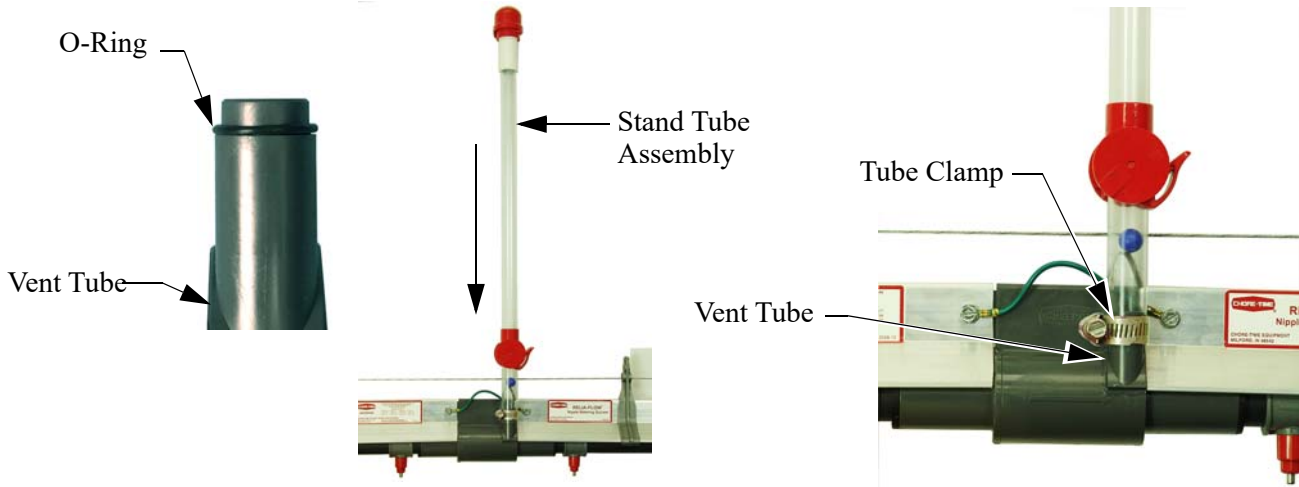


Figure 3. At Midline Installation

#### Older Midlines (with Tee)

1. For older Midlines (with Tee) place a Nylon Washer (2955-54) inside an Adapter (9067) and Glue the Adapter onto the bottom of the Stand Tube.
2. Wrap the Adapter threads with thread sealant tape or apply sealing compound suitable for PVC and thread the new Stand Tube in the Tee.

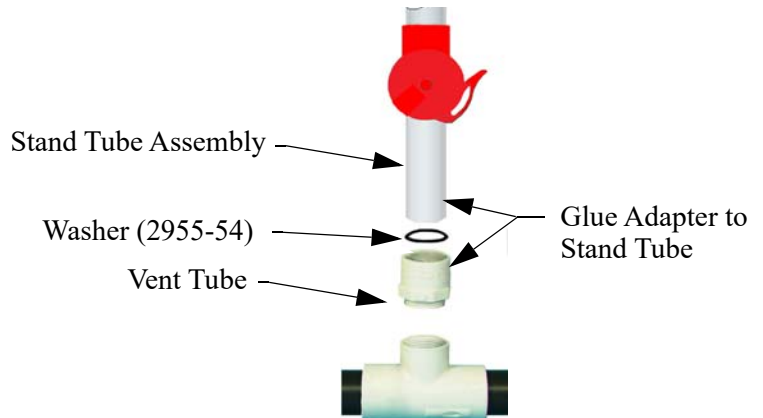


Figure 4. At Midline Installation (with Tee)

### Installation at Endline (Stand Tube 54517-8)

1. Wrap the threads of the 1/2" male adapter with thread sealant tape or apply thread sealing compound approved for PVC.
2. Thread the stand tube assembly into outlet tee to the desired position **but do not overtighten.**

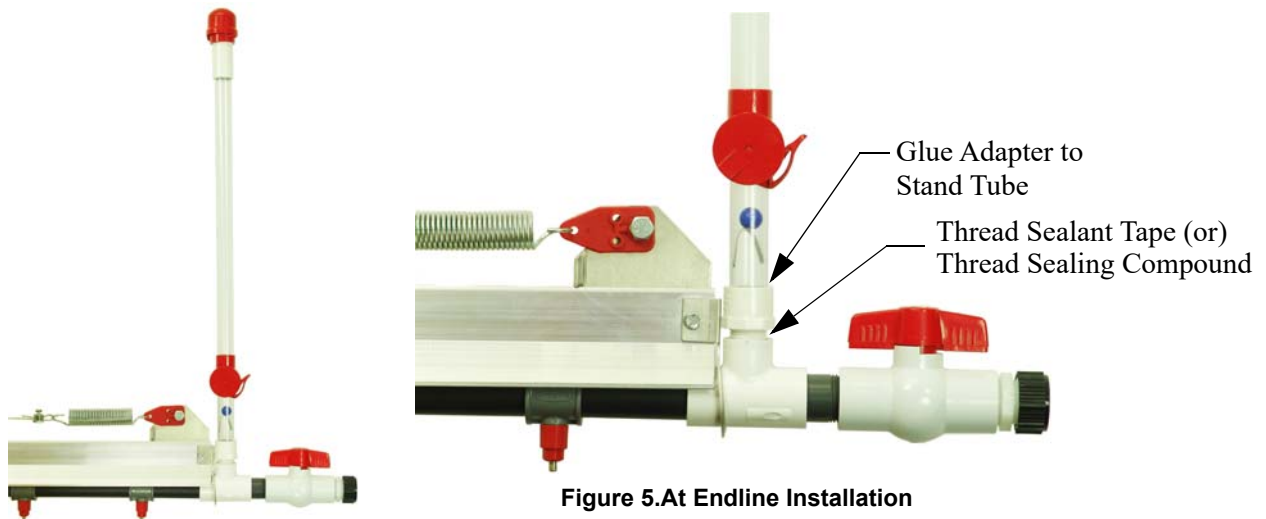


Figure 5. At Endline Installation

### Outlet Assembly (Flexible Standtube)

1. Remove the gray barbed fitting from the outlet tee.
2. Thread the new stand tube assembly in place of the barbed fitting. (see figure 5.) Turn assembly to the desired position but do not overtighten.

Remove Gray Barbed Fitting

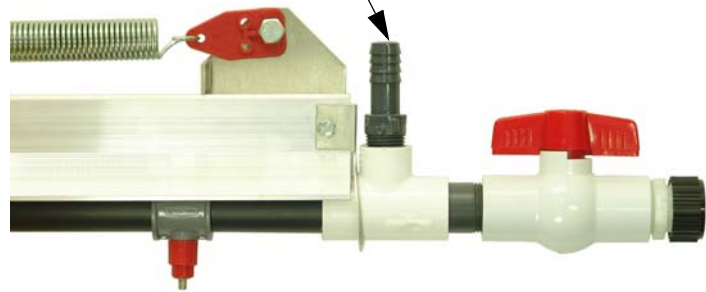


Figure 6. At Midline Installation

## Operation

- Clean the inside and outside of the stand tube at least once a week.

- **CAUTION** Failure to use the latch release lever could result in damage to the mechanism, voiding the warranty.

### Normal operating position

Clean the inside and outside of the stand tube at least once a week.

When in the normal operating position use a pipe brush to clean. Chore-Time part number 29465 pipe brush will pass through the folding mechanism in the normal operating position.



Figure 7. Stand Tube Cleaning

### Folding the Stand Tube

To fold down the stand tube, pull the latch release lever away from the body just enough to clear the latch tab, and fold the top section over until it stops. A click or slight catch when folding the stand tube is considered normal.

- **CAUTION** Failure to use the latch release lever could result in damage to the mechanism, voiding the warranty.

To raise the stand tube to the normal operating position.

Latch Release Lever

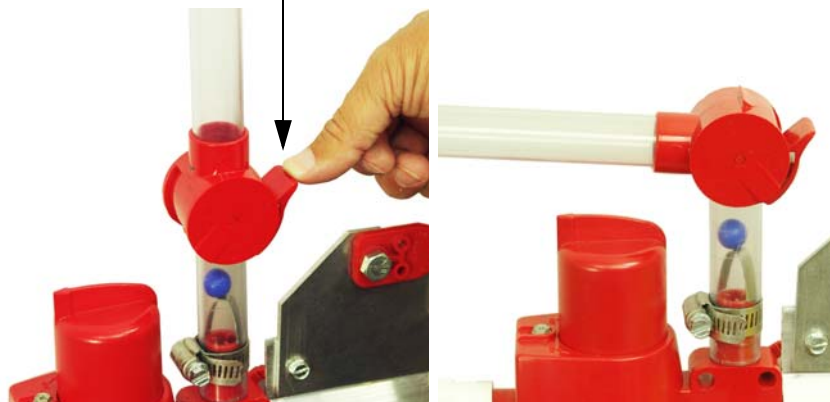


Figure 8. Folding the Stand Tube

### Winching preparation position

It is normal for the water in the stand tube to drain out of the folding mechanism when the stand tube is folded. This prevents potential damage from freezing.

When in the fully folded position a seal in the mechanism prevents water from leaking out of the water line.

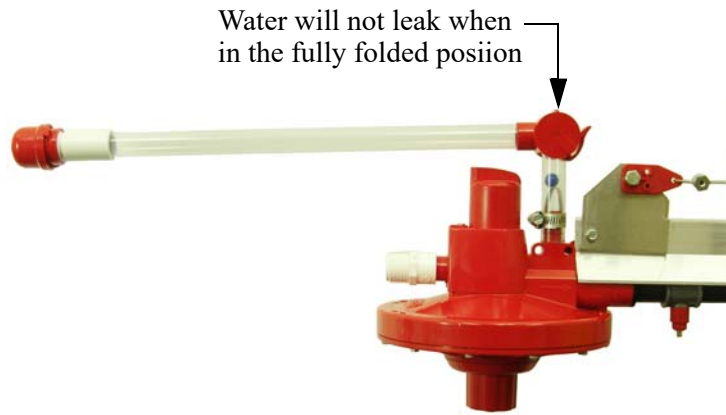


Figure 9.Folding the Stand Tube

**MADE TO WORK.**

**BUILT TO LAST.®**

### Revisions to this Manual

Page No.	Description of Change	ECO Number
various	Added Clamp and O-Ring to Midline application	31800

Contact your nearby Chore-Time distributor or representative for additional parts and information.

Chore-Time Group  
A division of CTB, Inc.  
PO Box 2000  
Milford, Indiana 46542-2000 USA  
Phone (574) 658-4101 Fax (877) 730-8825  
E-mail: [www.choretimepoultry.com](http://www.choretimepoultry.com)  
Internet: [poultry@choretime.com](mailto:poultry@choretime.com)