



Flexible Stand Tube Installation

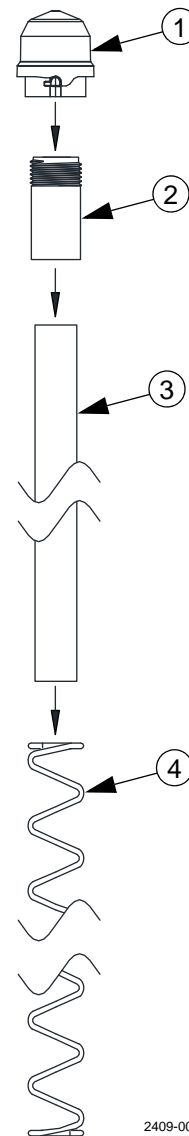
Part Numbers 54517-1 and 54517-2

Assembly:

Comes pre-assembled from Chore-Time.

Item	Description	Part No.
1	Breather Cap Assembly	54606
2	Male Adapter Fitting	25098
3	Flexible Tube	36840-1
4	Spring	36839-1

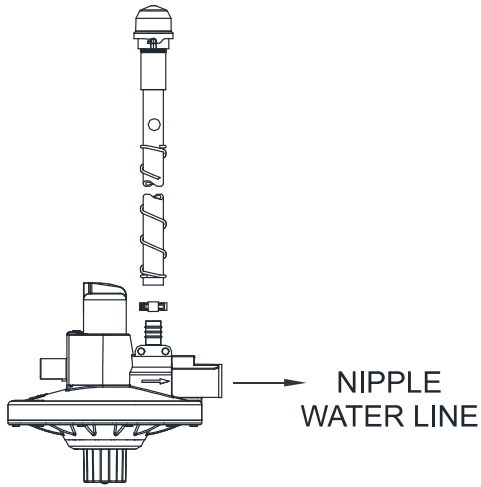
Figure 1. Stand Tube Assembly



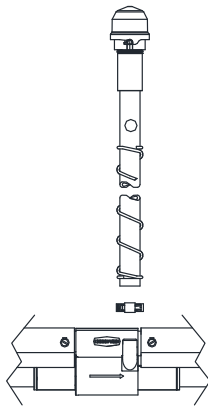
2409-003 12/13

Installation:

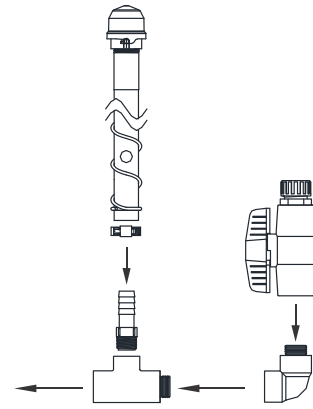
INLET END



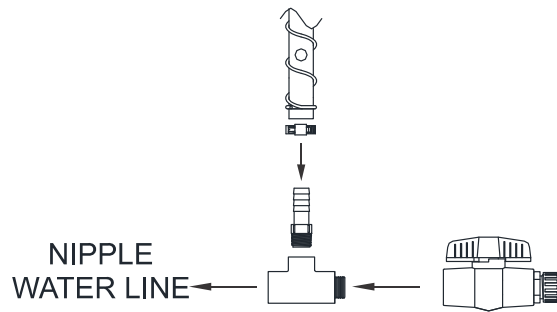
MIDLINE STAND
TUBE



OUTLET END



- OR -



2409-004 12/13

Revisions to this Manual

Page No.	Description of Change
various	updated to new Breather Cap Assembly. Was 45703



Chore-Time Group
A division of CTB, Inc.
PO Box 2000
Milford, Indiana 46542-2000 USA
Phone (574) 658-4101 Fax (877) 730-8825
E-mail: www.choretimepoultry.com
Internet: poultry@choretime.com