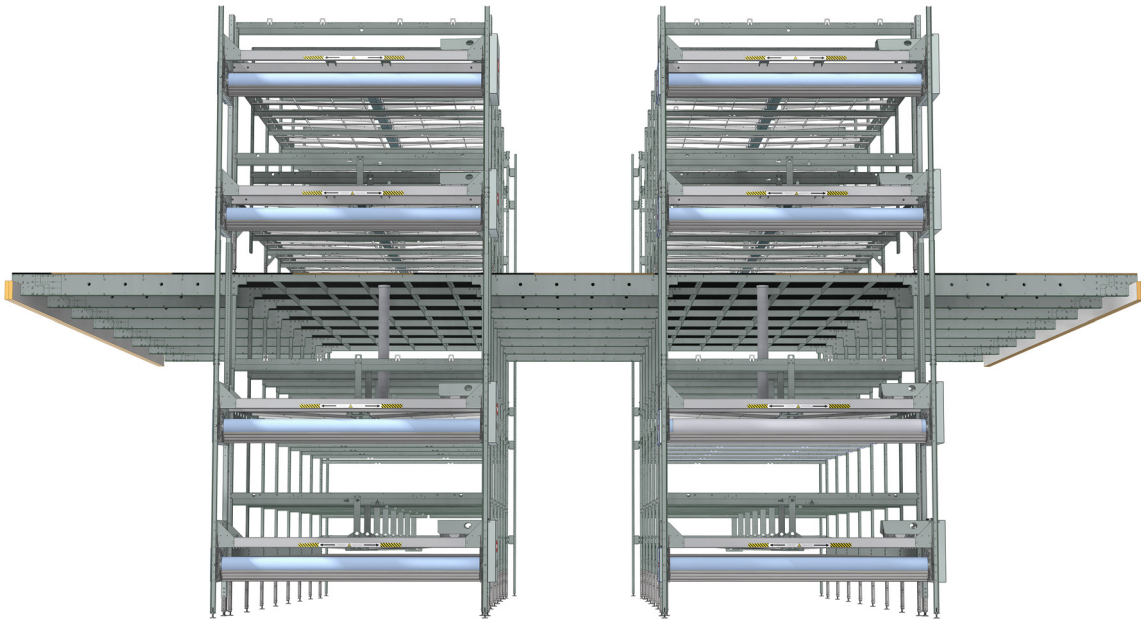


Cage-Free Integrated Floor

Installation and Operators Manual

Installation and Operators Manual



For additional parts and information, contact your nearest Chore-Time distributor or representative.
Find your nearest distributor at: www.choretime.com/contacts

Contents

Topic	Page
Limited Warranty	3
Safety and General Information	4
Follow Safety Instructions	4
Planning the System	5
Dimensions	5
Materials	6
Floor Support Lumber	6
Plywood Flooring	6
Manure Chutes	6
Manure Drive Installation	6
Pre-building Sub-Assemblies	7
End Brace Assemblies	7
Aisle Cross Assemblies (Outside)	8
Aisle Cross Assemblies (Middle)	8
Installation	9
Leg Extensions	9
Aisle Cross & I.F. Stiffener Ribs (Middle)	10
Aisle Cross & I.F. Stiffener Ribs (Outside)	11
Leveling Aisle Crosses and I.F. Stiffener Rib Installation	12
System Cross Installation	13
Floor Installation	14
Manure Chutes	15
Top Level Rows Installation	16
Part Numbers	16
Kit Part Numbers	18
Idle Leg Support Kits	18
System Cross Kits	18
End Bracing Kits	18
Leg Connector Kit	18
Aisle Cross Kits	19

Limited Warranty

LIMITED WARRANTY

CTB, Inc. (“Chore-Time”) warrants the new Cage-Free Floor manufactured by Chore-Time to be free from defects in material or workmanship under normal usage and conditions, for One (1) year from the date of installation by the original purchaser (“Warranty”). Chore-Time provides for an extension of the aforementioned Warranty period (“Extended Warranty Period”) with respect to certain Product parts. If such a defect is determined by Chore-Time to exist within the applicable period, Chore-Time will, at its option, (a) repair the Product or Component Part free of charge, F.O.B. the factory of manufacture or (b) replace the Product or Component Part free of charge, F.O.B. the factory of manufacture. This Warranty is not transferable, and applies only to the original purchaser of the Product.

CONDITIONS AND LIMITATIONS

THIS WARRANTY CONSTITUTES CHORE-TIME’S ENTIRE AND SOLE WARRANTY AND CHORE-TIME EXPRESSLY DISCLAIMS ANY AND ALL OTHER WARRANTIES, INCLUDING, BUT NOT LIMITED TO, EXPRESS AND IMPLIED WARRANTIES, INCLUDING, WITHOUT LIMITATION, WARRANTIES AS TO MERCHANTABILITY OR FITNESS FOR PARTICULAR PURPOSES. CHORE-TIME shall not be liable for any direct, indirect, incidental, consequential or special damages which any purchaser may suffer or claim to suffer as a result of any defect in the Product. Consequential or Special Damages as used herein include, but are not limited to, lost or damaged products or goods, costs of transportation, lost sales, lost orders, lost income, increased overhead, labor and incidental costs, and operational inefficiencies. *Some jurisdictions prohibit limitations on implied warranties and/or the exclusion or limitation of such damages, so these limitations and exclusions may not apply to you. This warranty gives the original purchaser specific legal rights. You may also have other rights based upon your specific jurisdiction.*

Compliance with federal, state and local rules which apply to the location, installation and use of the Product are the responsibility of the original purchaser, and CHORE-TIME shall not be liable for any damages which may result from non-compliance with such rules.

The following circumstances shall render this Warranty void:

- Modifications made to the Product not specifically delineated in the Product manual.
- Product not installed and/or operated in accordance with the instructions published by the CHORE-TIME.
- All components of the Product are not original equipment supplied by CHORE-TIME.
- Product was not purchased from and/or installed by a CHORE-TIME authorized distributor or certified representative.
- Product experienced malfunction or failure resulting from misuse, abuse, mismanagement, negligence, alteration, accident, or lack of proper maintenance, or from lightning strikes, electrical power surges or interruption of electricity.
- Product experienced corrosion, material deterioration and/or equipment malfunction caused by or consistent with the application of chemicals, minerals, sediments or other foreign elements.
- Product was used for any purpose other than for the care of poultry and livestock.
-

The Warranty and Extended Warranty may only be modified in writing by an officer of CHORE-TIME. CHORE-TIME shall have no obligation or responsibility for any representations or warranties made by or on behalf of any distributor, dealer, agent or certified representative.

Effective: April 2014

Safety and General Information

Caution, Warning and Danger Decals have been placed on the equipment to warn of potentially dangerous situations. Care should be taken to keep this information intact and easy to read at all times. Replace missing or damaged safety decals immediately.

Safety–Alert Symbol



This is a safety–alert symbol. When you see this symbol on your equipment, be alert to the potential for personal injury. This equipment is designed to be installed and operated as safely as possible...however, hazards do exist.

Understanding Signal Words

Signal words are used in conjunction with the safety–alert symbol to identify the severity of the warning.



DANGER indicates an imminently hazardous situation which, if not avoided, **WILL** result in death or serious injury.



WARNING indicates a potentially hazardous situation which, if not avoided, **COULD** result in death or serious injury.



CAUTION indicates a hazardous situation which, if not avoided, **MAY** result in minor or moderate injury.

Follow Safety Instructions

Carefully read all safety messages in this manual and on your equipment safety signs. Follow recommended precautions and safe operating practices.

Keep safety signs in good condition. Replace missing or damaged safety signs.

DANGER: Electrical Hazard

Disconnect electrical power before inspecting or servicing equipment unless maintenance instructions specifically state otherwise.

Ground all electrical equipment for safety.

All electrical wiring must be done by a qualified electrician in accordance with local and national electric codes.

Ground all non-current carrying metal parts to guard against electrical shock.

Electrical disconnects and over current protection are not supplied with the equipment.

DANGER: Hand Entanglement

Use caution when working around Gears. Entangling hands in Gears may cause personal injury.

DANGER: Fork Truck

Use Caution when moving heavy equipment with a Fork Truck. Follow Instructions for moving heavy equipment. Failure to follow instructions could cause load to shift and fall resulting in death or serious injury.



Planning the System

Dimensions

! Important: It is very important to install equipment exactly according to the dimensions provided in the building drawings created specifically for your installation by Chore-time Engineering. Failure to install equipment per your specific pre-designed building drawings could result in death or serious injury.

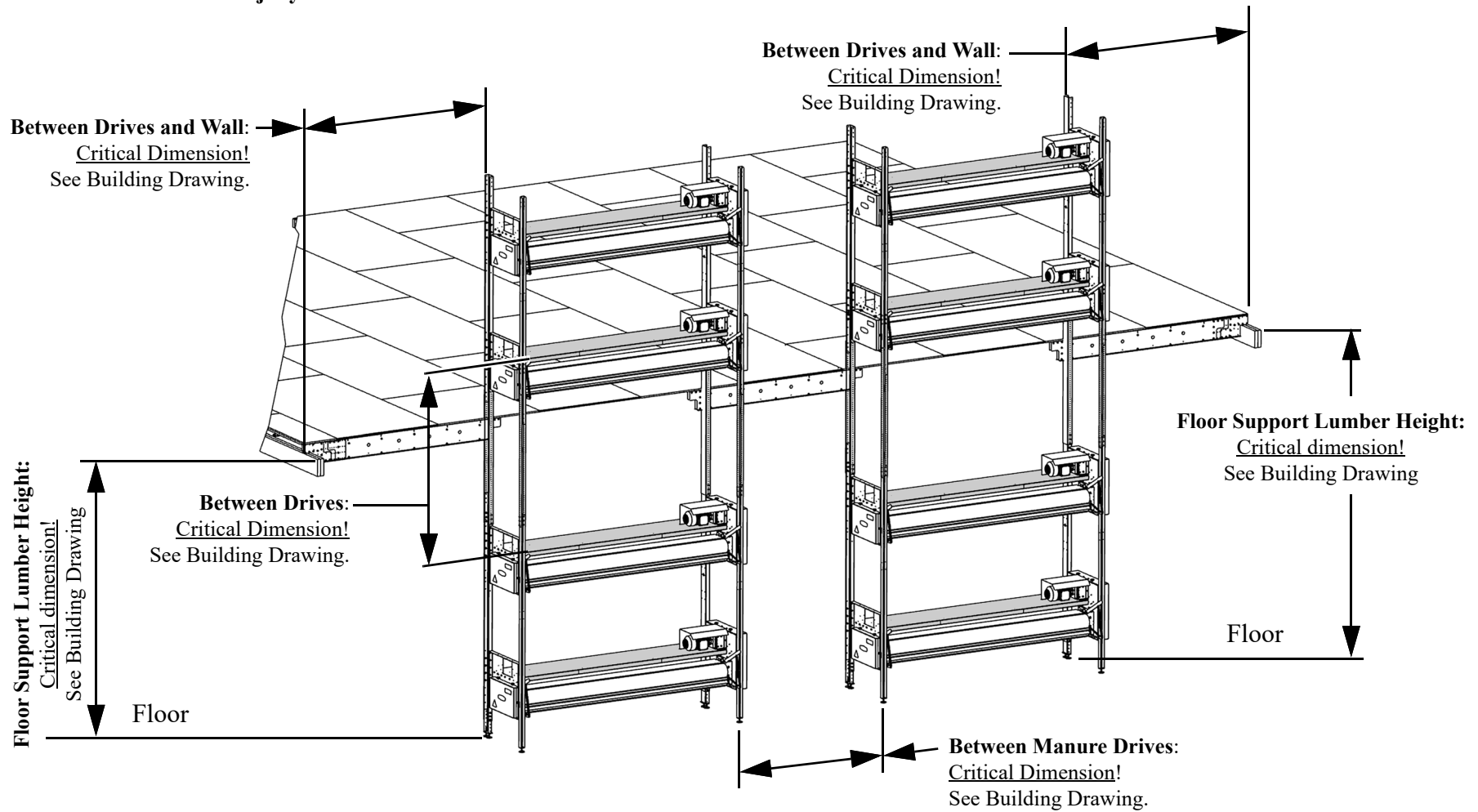


Figure 1. Dimensions

Materials

Floor Support Lumber

- Chore-Time recommends two 2" x 8" [38mm x 184mm] Floor Support Boards side by side **as shown**.
- It is important to Stagger the Board Seams **as shown**.
- Fasten with Framing Screws.
- Boards need to be able to support 150 lbs/Linear ft. [214 kg/linear M.].

Plywood Flooring

- Plywood used for Floor must be minimum thickness of 5/8" [15mm].
- Must be Film Faced.
- Chore-Time recommends double tongue, double groove boards a minimum 4' x 8' [1220 x 2440mm].
- Non tongue and groove boards are not recommended and require sheets to be supported by a rib or truss on all edges. Non Tongue and groove boards would have to be cut to the size of the nearest ribs of the system. Consult with Chore-time engineering before ordering non tongue and groove flooring.

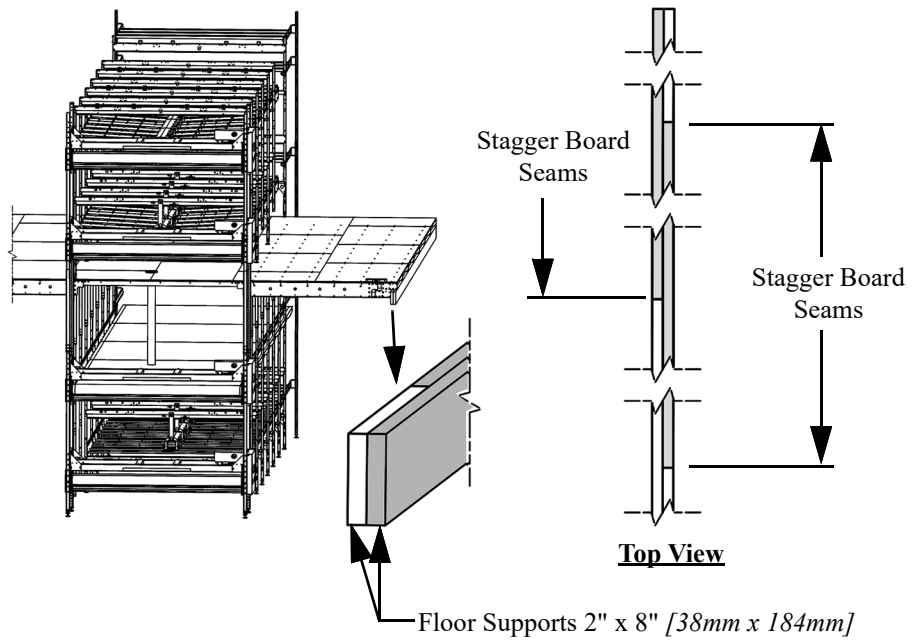


Figure 2.Floor Support Lumber

Manure Chutes

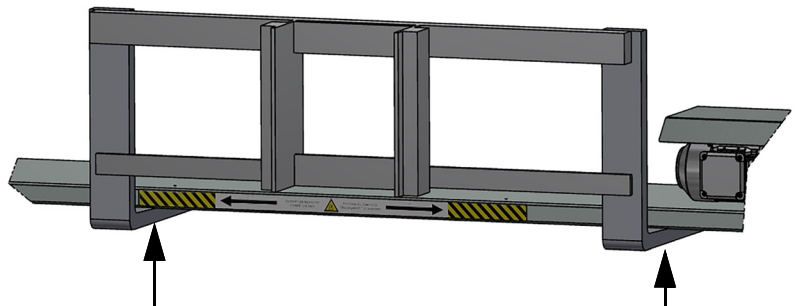
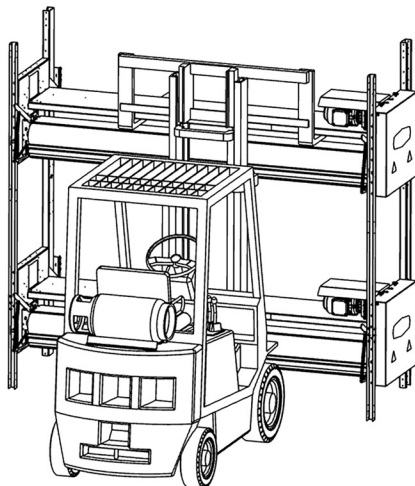
Customers may elect to provide 2nd and 3rd floor manure chuting system. “Manure Chutes” on page 15

Manure Drive Installation

DANGER There is a decal on the Manure Drives indicating where to place the forks when lifting them. Failure to follow these directions could result in damaged equipment or could result in death or serious injury.

1. See the Manure Drive Manual for specific Manure Drive assembly and installation instructions.

Note: The manure drives are heavier on the motor end. It may be necessary to pick them up with the forks slightly shifted toward the Motor side.



Place Forks as wide as possible under Top Plate. Forks should be slightly off center to compensate for weight of Motors on Manure Drive.

Figure 3.Manure Drive Installation

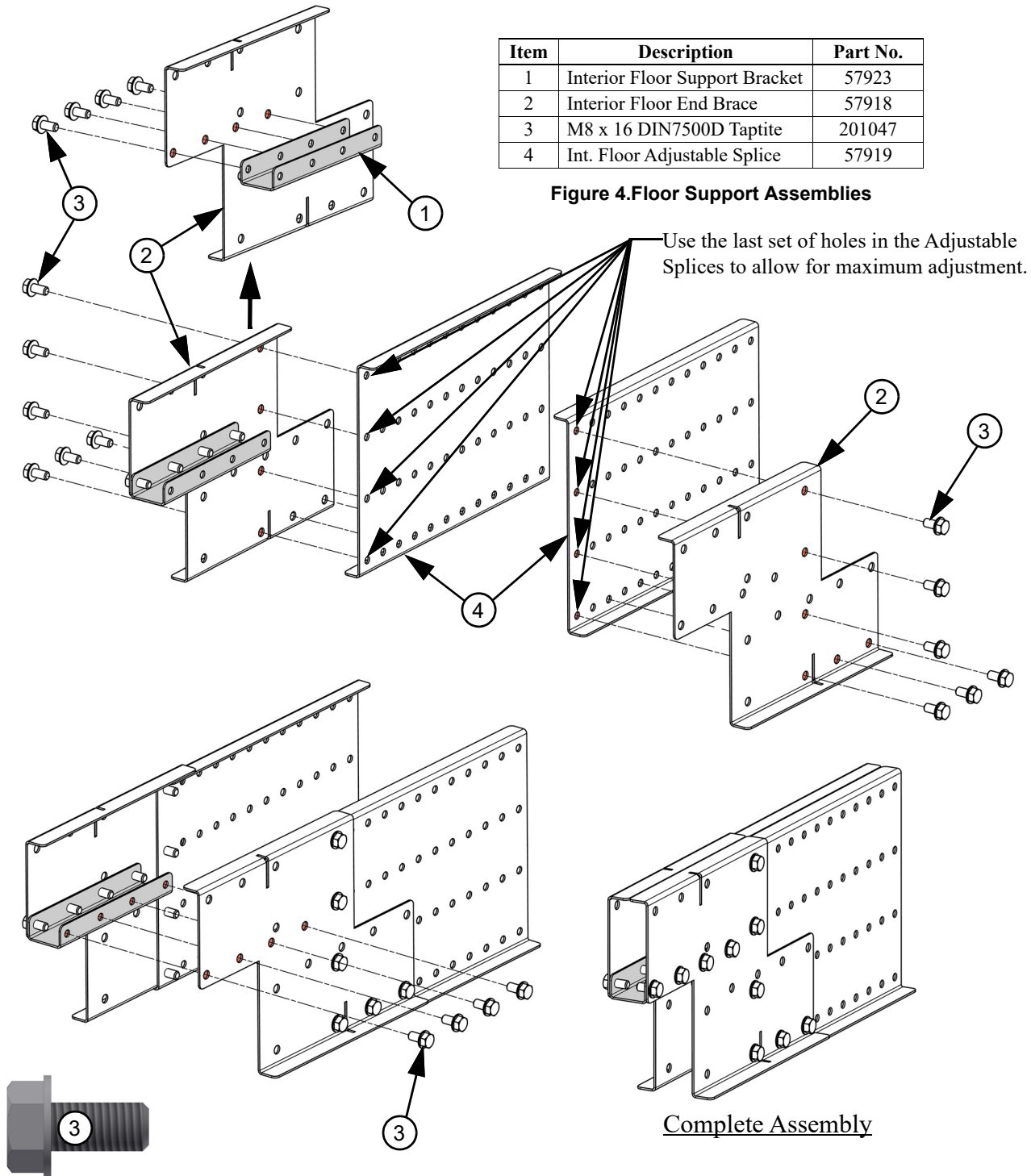
Pre-building Sub-Assemblies

End Brace Assemblies

1. Fasten a Floor Support Bracket (**Item 1**) to an End Brace (**Item 2**) with m8 Taptites (**Item 3**) as shown.
2. Attach an Adjustable Splice (**Item 4**) to the End Brace with m8 Taptites (**Item 3**).
3. Attach a second End Brace (**Item 2**) to a second Adjustable Splice (**Item 4**) with M8 Taptites.
4. Attach the two Assemblies together with M8 Taptites as shown.

Item	Description	Part No.
1	Interior Floor Support Bracket	57923
2	Interior Floor End Brace	57918
3	M8 x 16 DIN7500D Taptite	201047
4	Int. Floor Adjustable Splice	57919

Figure 4. Floor Support Assemblies



Aisle Cross Assemblies (Outside)

Note: If Outside and Middle Aisle Crosses are different lengths, measure to confirm which you have.

1. Fasten six Floor Support Brackets (**Item 1**) to an End Brace (**Item 2**) with m8 Taptites (**Item 3**) as shown.
2. Attach a second End Brace (**Item 2**) to the Support Brackets with M8 Taptites as shown.

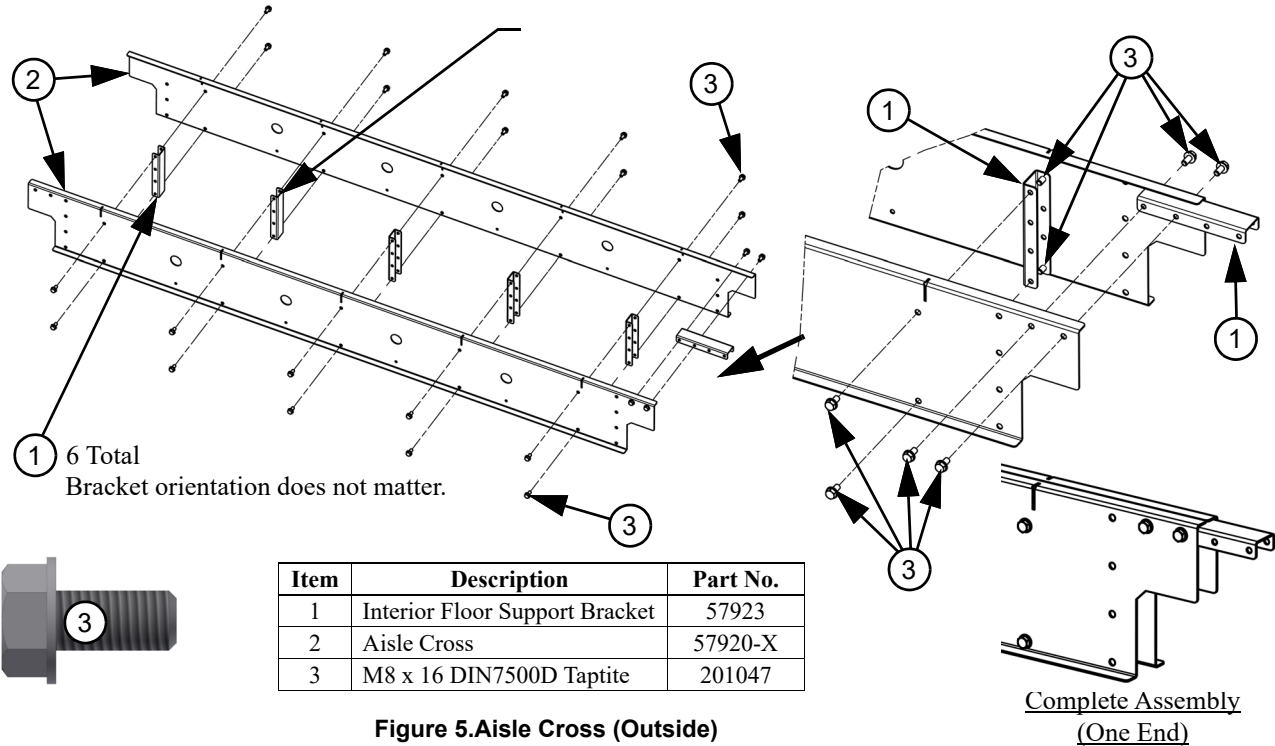


Figure 5. Aisle Cross (Outside)

Aisle Cross Assemblies (Middle)

Note: If Outside and Middle Aisle Crosses are different lengths, measure to confirm which is which.

1. Fasten seven Support Brackets (**Item 1**) to a Aisle Cross (**Item 2**) with m8 Taptites (**Item 3**) as shown.
2. Attach a second End Brace (**Item 2**) to the Support Brackets with M8 Taptites.

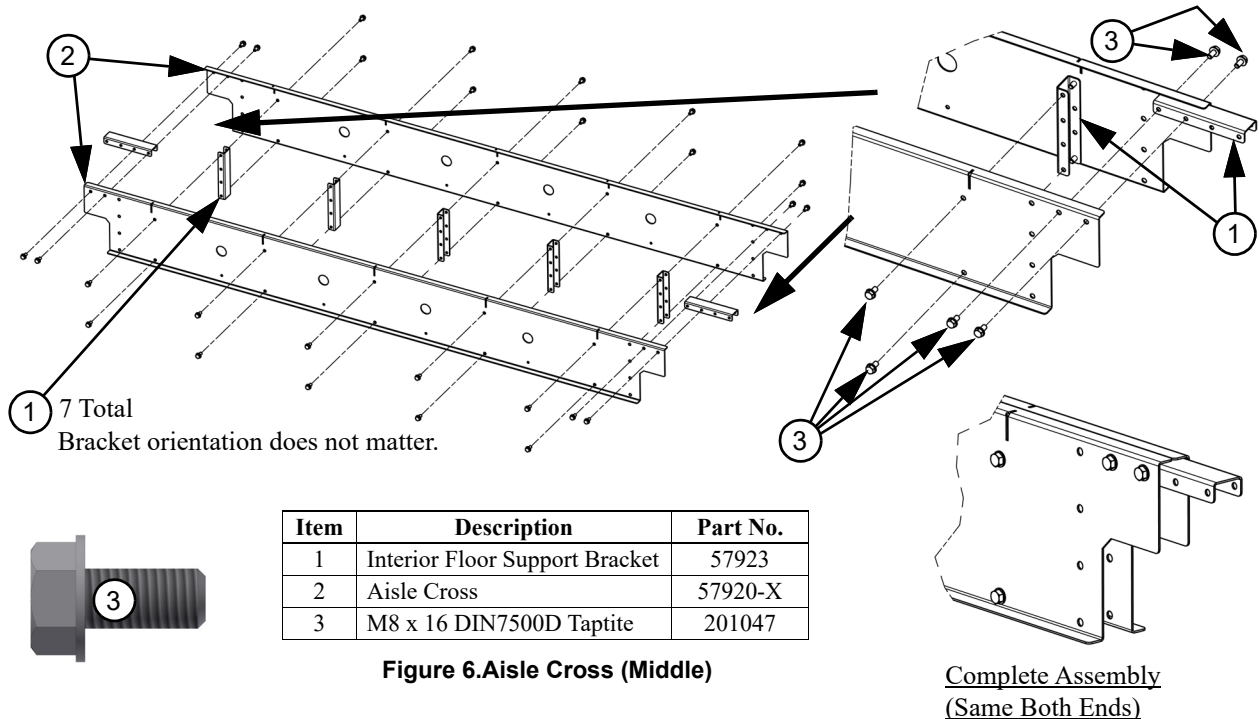


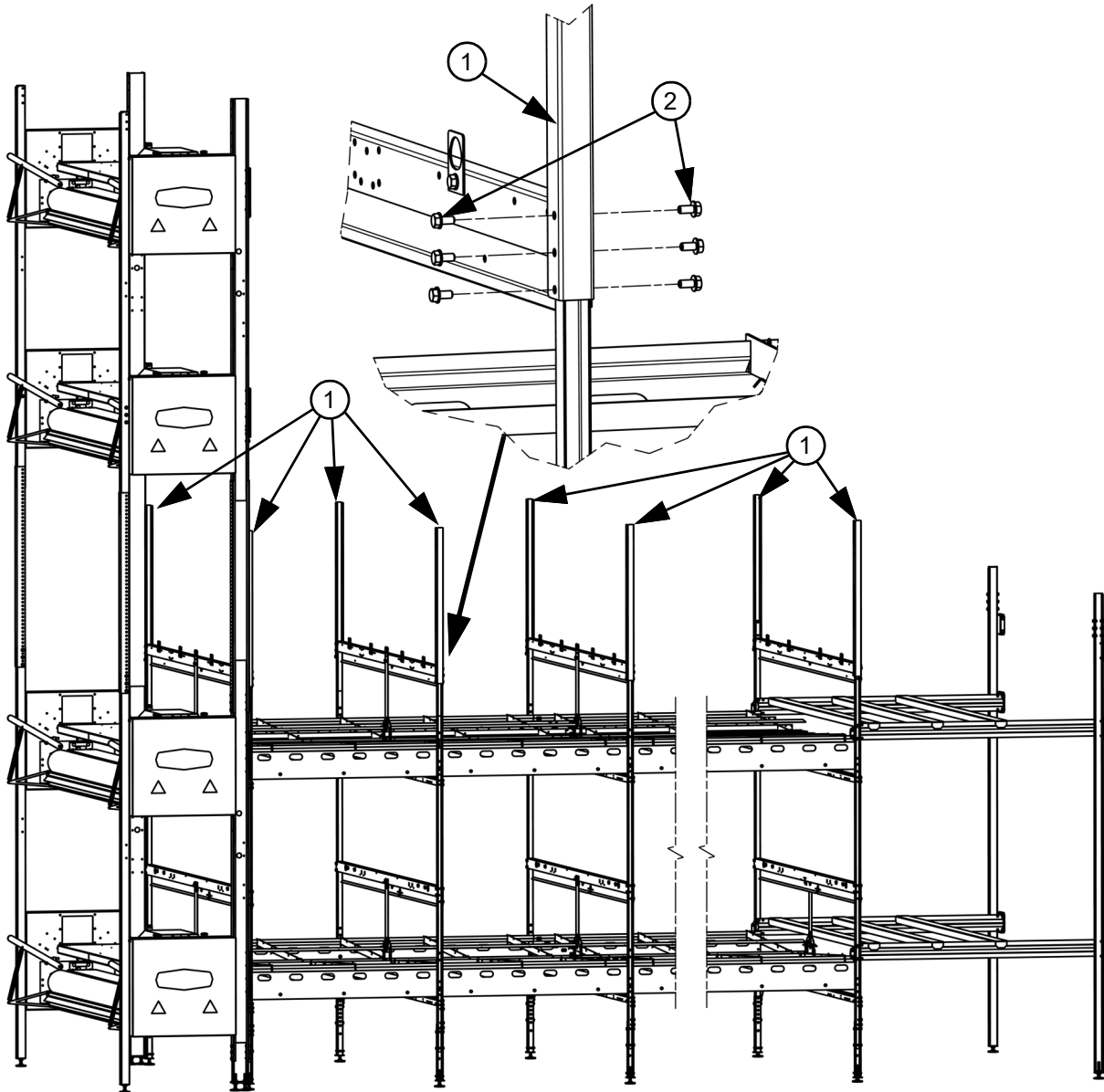
Figure 6. Aisle Cross (Middle)

Installation

Leg Extensions

Note: The Trusses can be installed as you are installing the Leg Extensions or they can be installed after the system row is complete. If installing Aisle Crosses with the Leg Extensions See “Aisle Cross & I.F. Stiffener Ribs (Middle)” on page 10.

1. Install Leg Extensions (Item 1) with m8 Taptites (Item 2) as shown.



Item	Description	Part No.
1	Interior Floor Leg Extension	57921-X
2	M8 x 16 DIN7500D Taptite	201047

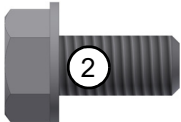


Figure 7. Leg Extensions

Aisle Cross & I.F. Stiffener Ribs (Middle)

1. Attach the Middle Interior Floor Aisle Cross Assemblies (**Item 1**) to the top of the Leg Extensions with M8 Taptites (**Item 2**) as shown. It is necessary to grind off a section of the 1st Aisle Cross Assembly (**Manure Drive End only**) to clear the Extension Posts as shown.
2. Install I.F. Stiffener Ribs (**Item 3**) in the Slots of the Aisle Crosses as shown.

Item	Description	Vike™ Part No.	eVOLUTION™
1	Middle Aisle Cross Assemblies See “Aisle Cross Assemblies (Middle)” on page 8.	--	
2	M8 x 16 DIN7500D Taptite	201047	
3	I.F. Stiffener Rib (1200)	57925	--
	I.F. Stiffener Rib (1450)	--	58552
	I.F. Stiffener Rib (500) for Service Station	--	58557

Grind off Flange for clearance. (Manure Drive End) only.

(8 Per Leg)

See “Aisle Cross Assemblies (Middle)” on page 8.

Aisle Cross & I.F. Stiffener Ribs (Outside)

1. Attach the Outside Aisle Cross Assemblies (**Item 1**) to the top of the Leg Extensions with M8 Taptites (**Item 2**) as shown. It is necessary to grind off a section of the 1st Outside Aisle Cross Assembly (**Manure Drive End only**) to clear the Extension Posts as shown.
 2. Slide the Floor Support Bracket Assemblies (**Item 3**) up into the Support Bracket Assemblies and rest it on top of the Floor Support Lumber.
 3. Slide the Floor Support Bracket Assemblies over until it is Flush $\pm 1/4"$ [6.4mm] with the Floor Support Lumber and fasten with twelve M8 Taptites.
- Important!** Aisle Crosses must be level within $1/8"$ [3.2mm]. See next page for leveling instructions.

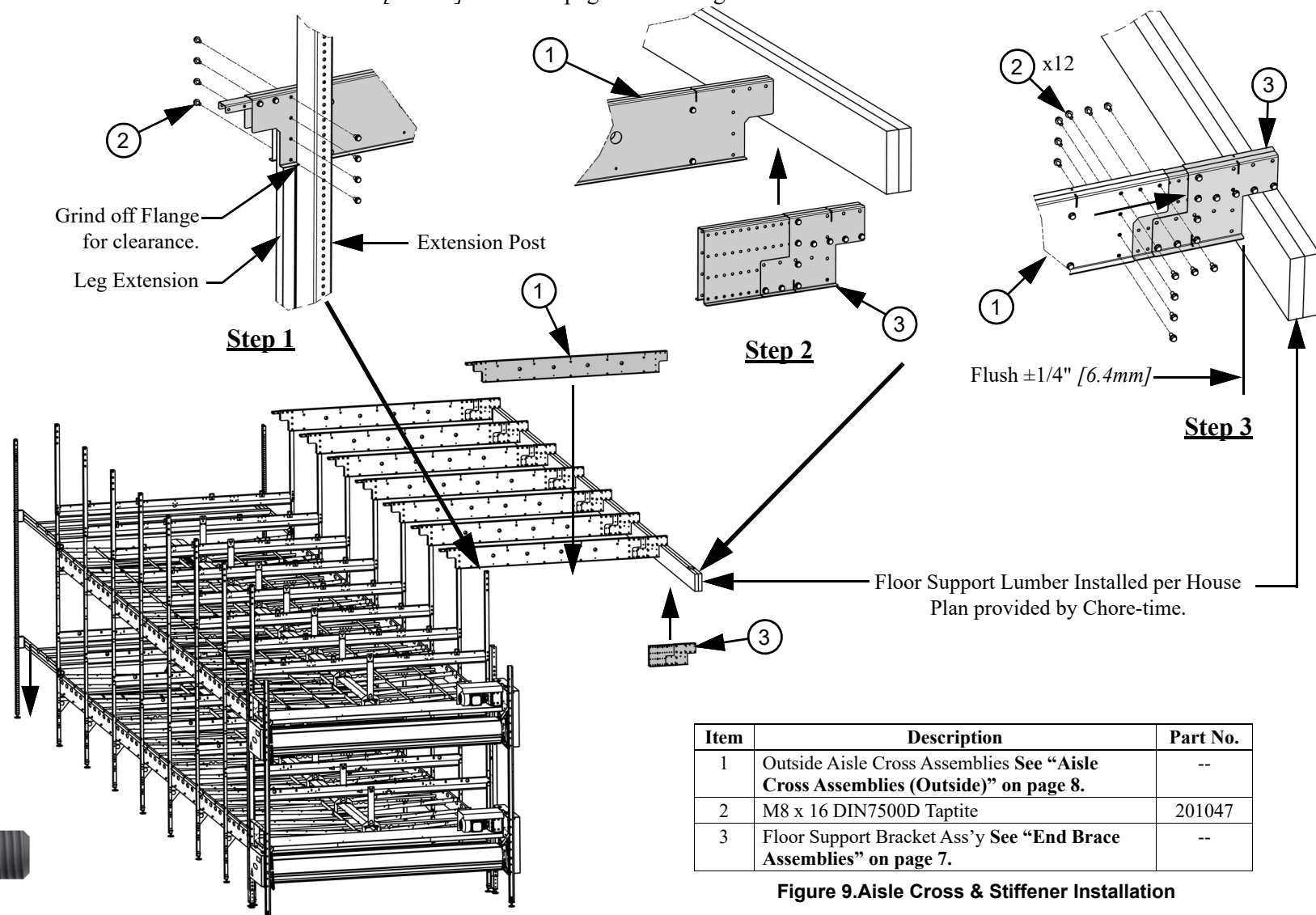
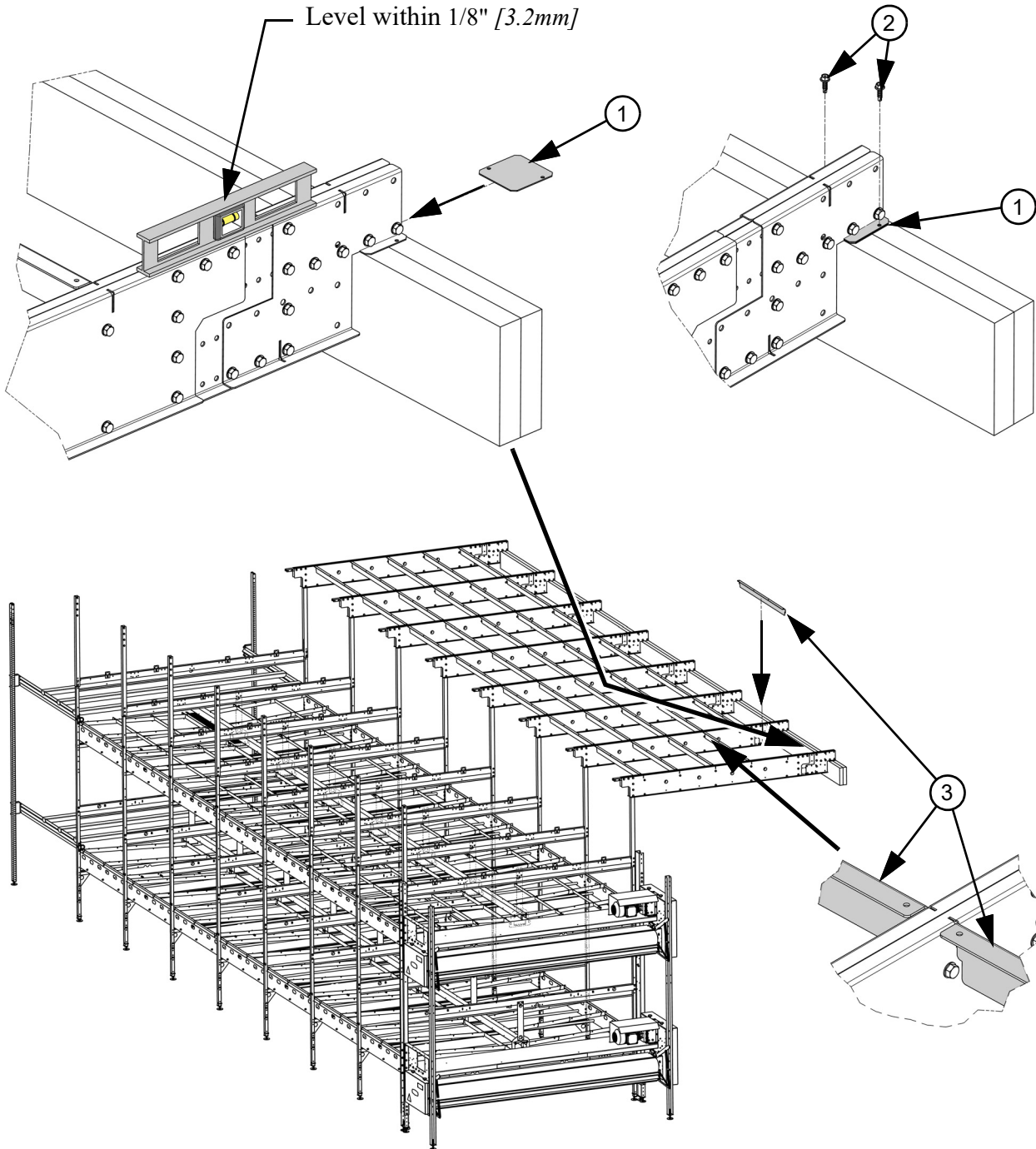


Figure 9. Aisle Cross & Stiffener Installation

Leveling Aisle Crosses and I.F. Stiffener Rib Installation

1. Check for Level and use Support Plates (Item 1) if out of level more than 1/4" [6.4mm].
2. Install I.F. Stiffener Ribs (Item 3) in the Slots of the Aisle Crosses as shown.

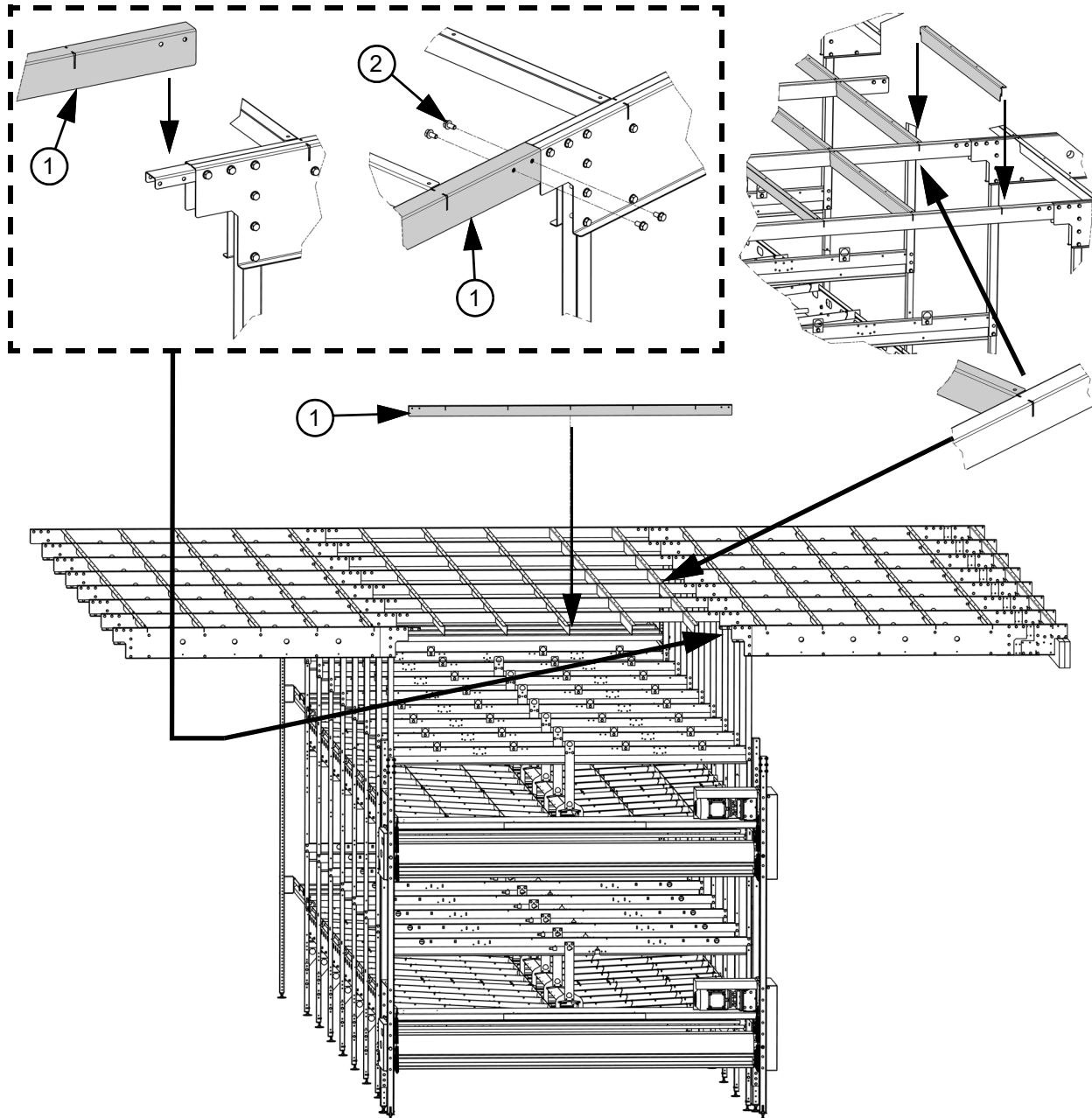


Item	Description	Vike™	eVOLUTION™	eVOLUTION™
		Part No.		
1	Support Plate	58679	58679	58679
2	Wood Screw	Not Supplied	Not Supplied	Not Supplied
3	I.F. Stiffener Rib (1200)	57925	--	--
	I.F. Stiffener Rib (1450)	--	58552	--
	I.F. Stiffener Rib (500) for Service Station	--	--	58557

Figure 10. Leveling Aisle Crosses and Installing I.F. Stiffener Ribs

System Cross Installation

1. Set a System Cross (**Item 1**) down on top of the Interior Floor Support Brackets and Fasten with M8 Taptites (**Item 2**) as shown.
2. Install I.F. Stiffener Ribs (**Item 3**) in the Slots of the System Crosses.



		Vike 1750	Vike 2000	Vike 2500	eVOLUTION™	eVOLUTION™ Service Station
Item	Description	Part No.				
1	1750 I. F. System Cross	57922-17	--	--	58679	
	2000 I.F. System Cross	--	57922-20	--		
	2500 I.F. System Cross	--	--	57922-25		
2	M8 x 16 DIN7500D Taptite	201047	201047	201047	201047	
3	I.F. Stiffener Rib (1200)	57925	57925	57925	--	
	I.F. Stiffener Rib (1450)	--	--	--	58552	
	I.F. Stiffener Rib (500) for Service Station	--	--	--	--	58557

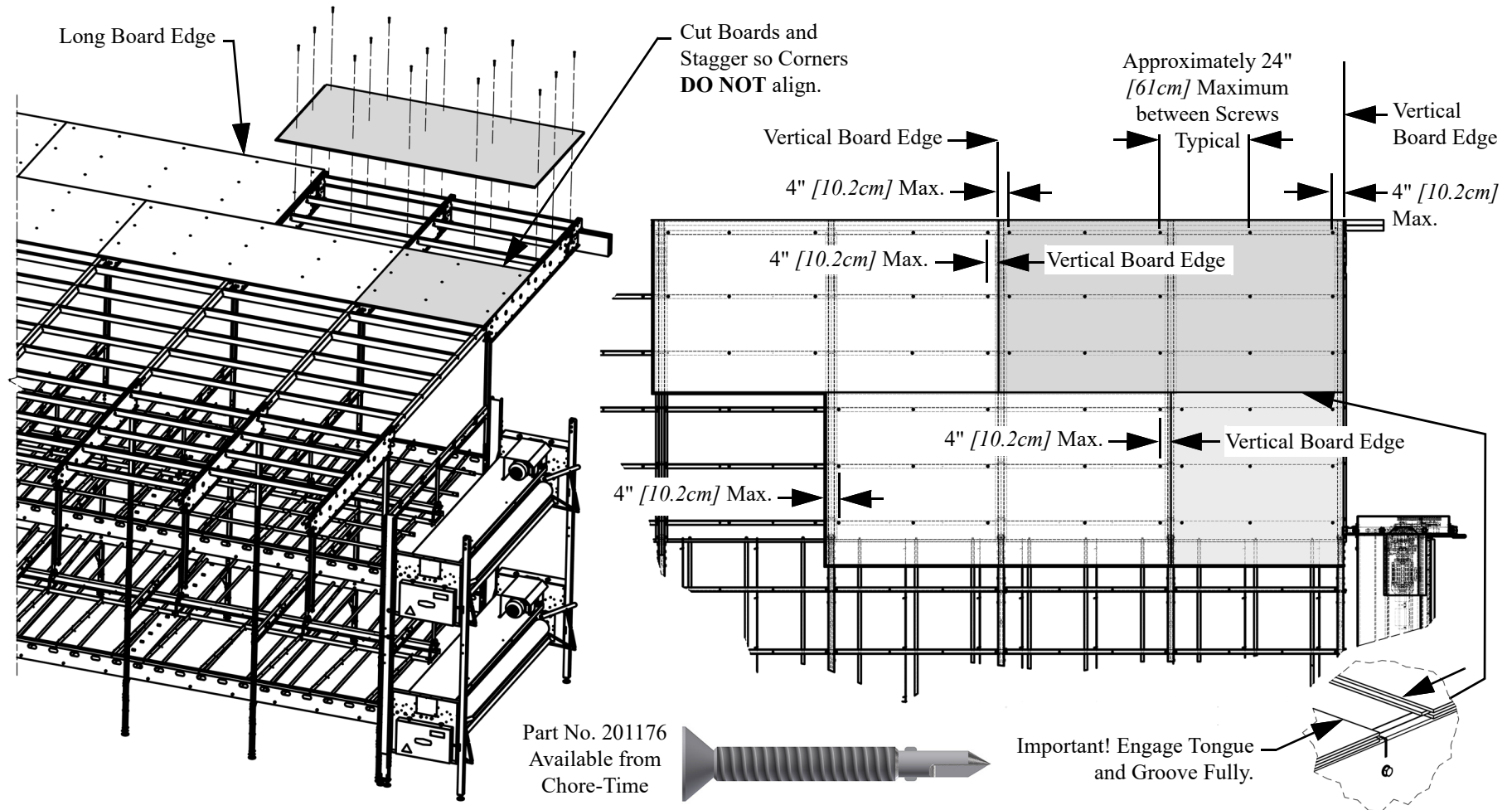
Figure 11. System Cross Installation

Floor Installation

Important! It is recommended that at least one-quarter to one-half of the Aisle Crosses and Stiffener Ribs be installed before beginning to install Floor.

Important! Floor Material is critical. See “Plywood Flooring” on page 6. for Floor material requirements.

- Chore-Time can provide Self Boring Screws (**Chore-Time Part No. 201176**) that have detaching Wings.
 - Long edges of Boards are to be Parallel to the System Rows.
 - Stagger the Boards so that corners do not align.
 - Make sure that Tongues and Grooves of every Board is all the way engaged before fastening.
1. Fasten the Boards to the Stiffener Ribs with Screws following these criteria.
- Install Screws within 4" [10.2 cm] from all Vertical Board edges.
 - Space Screws along Stiffener Ribs (Horizontal on page) approximately 24" [61cm] as shown.



Manure Chutes

Scrapers can not be installed above the Floor so Manure Chutes must be installed. Drain Flanges and PVC Pipes can be sourced elsewhere or use parts from Chore-Time **as shown**. Install Manure Chutes so Manure falls on Belts as close to the center as possible. **DO NOT** overload the edges of the Belts.

Install Manure Chutes Staggered side to side as you move down the Rows Minimum 20' [6.1 M] apart **as shown**.

Important! The maximum angle of the Chutes is 20° to allow Manure to clear Tubes (See Figure).

1. Measure and Cut 4" Holes in the Floor using 20' [6.1M] Minimum spacing.
2. Place Funnels (Item 1) over holes, Drill holes in Floor and fasten Funnels. (Hardware not provided).
3. Fasten Drop Tubes (Item 2) to Funnels with Pin Clips and direct Chutes towards Center of Belt and cut Tubes to length such that the ends are as close to the Wire Mesh as possible.

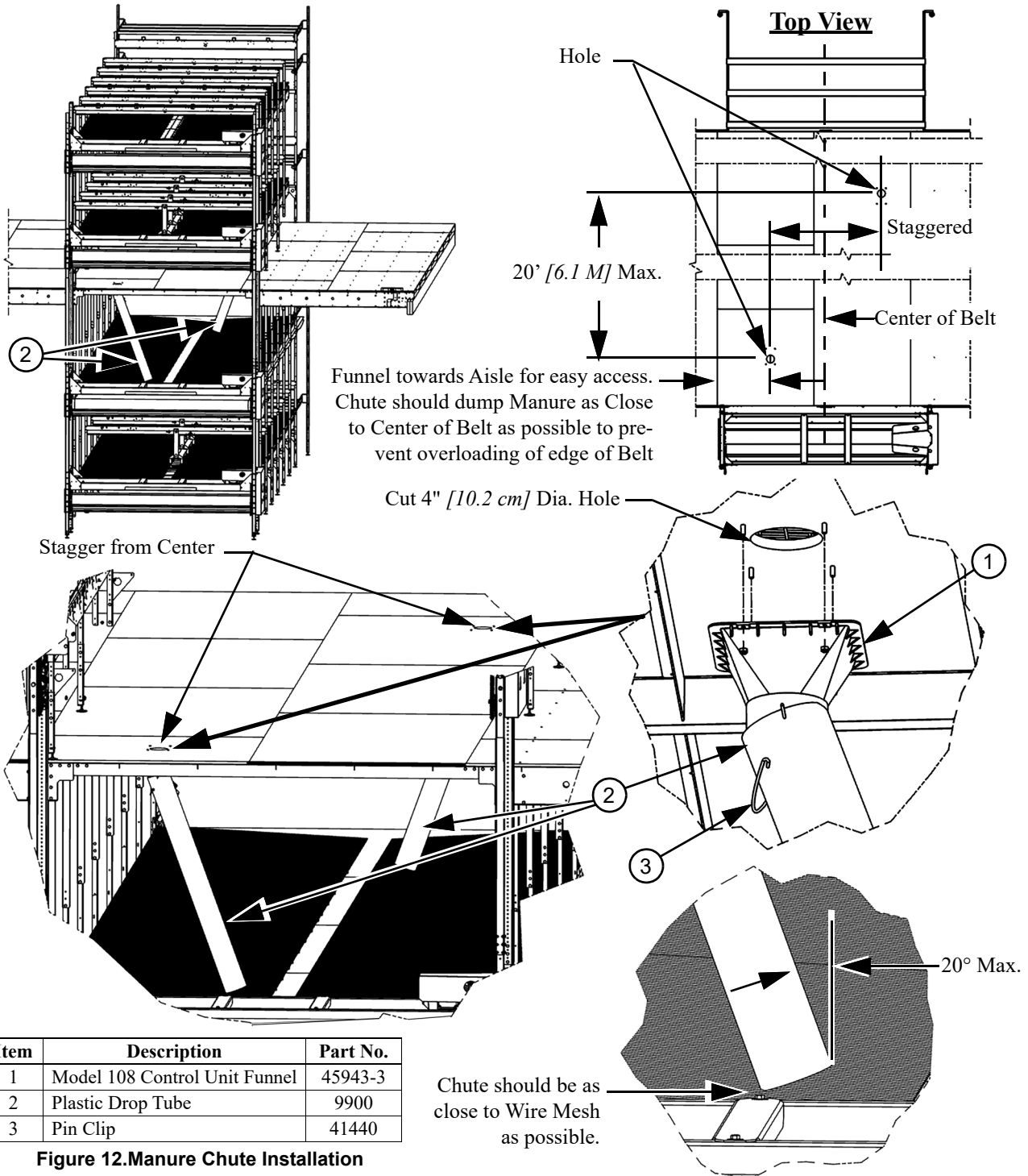
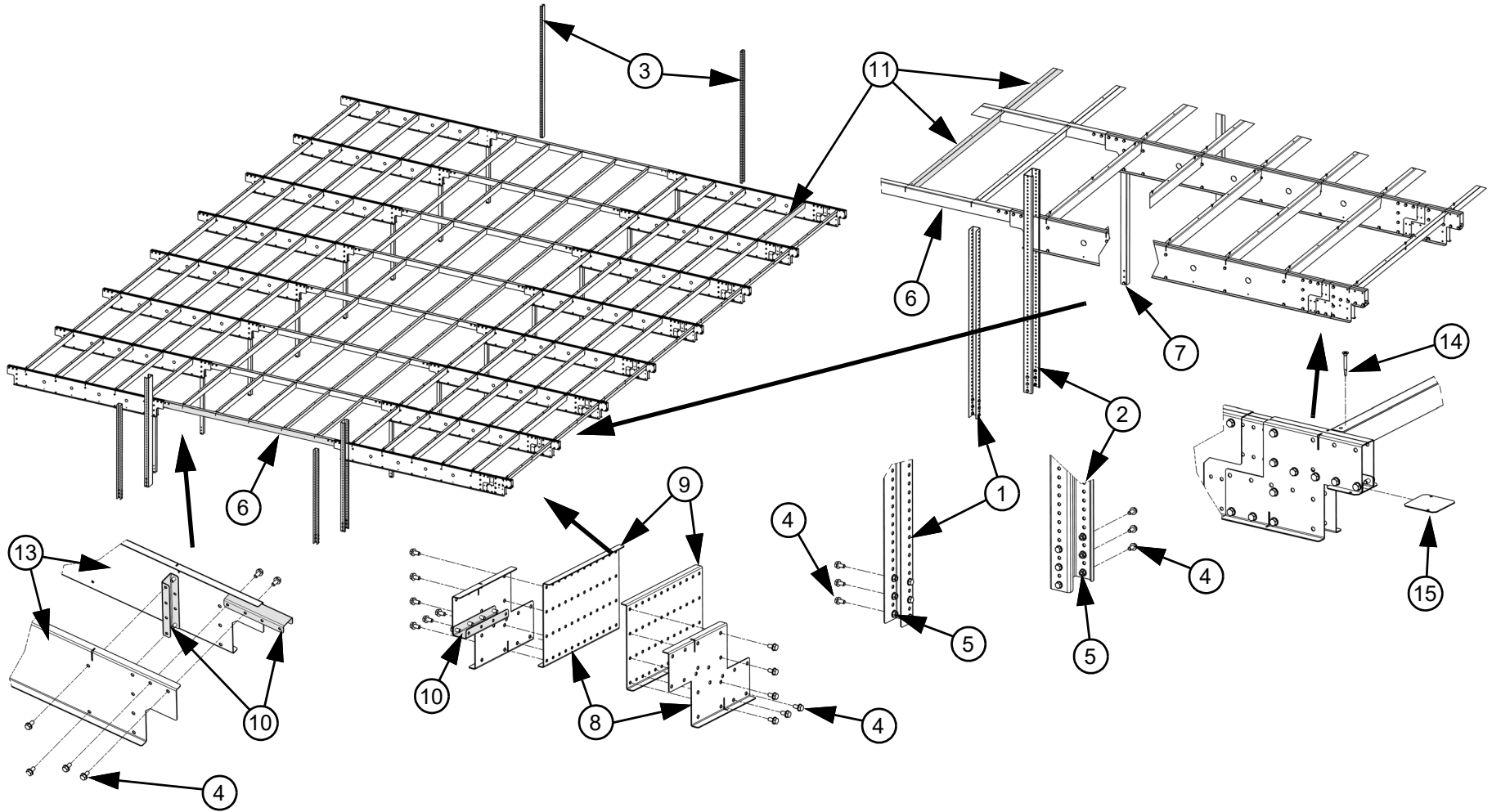


Figure 12. Manure Chute Installation

Top Level Rows Installation

With the Floor installed, Install the top level roads according to the Vike System installation Manual.

Part Numbers



		Vike 1750	Vike 2000	Vike 2500	eVOLUTION	eVOLUTION Service Station
Item	Description	Part No.				
1*	MBU Heavy Post Extension	57398	57398	57398	57398	57398
2*	MBU Front Post Extension	57399	57399	57399	57399	57399
3*	MBU Idler Leg Extension	57400	57400	57400	57400	57400
4*	M8 x 16 DIN7500D Taptite	201047	201047	201047	201047	201047
5*	M8-1.25 DIN6923 Flange Nut	201001	201001	201001	201001	201001
6**	1750 Interior Floor System Cross	57922-17	--	--	57922-17	57922-17
	2000 Interior Floor System Cross	--	57922-20	--	--	--
	2500 Interior Floor System Cross	--	--	57922-25	--	--
7***	Extension Leg	57921-X	57921-X	57921-X	57921-X	57921-X
8 ^{1,2}	Interior Floor End Brace	57918	57918	57918	57918	57918
9 ^{1,2}	Int. Floor Adjustable Splice	57919	57919	57919	57919	57919
10 ^{1,2}	Interior Floor Support Bracket	57923	57923	57923	57923	57923
11 ^{1,2,3}	Interior Floor Stiffener Rib	57925 ¹	57925 ¹	57925 ¹	--	--
	(1450) Interior Floor Stiffener Rib	--	--	--	58552 ²	--
	(500) Interior Floor Stiffener Rib	--	--	--	--	58557 ³
12 ⁴	Interior Floor Idler Leg Support	57924	57924	57924	57924	57924
13 ⁵	Aisle Cross	57920-X	57920-X	57920-X	57920-X	57920-X
14	5.5 x50mm Torx SFTP Screw	201176	201176	201176	201176	201176
15	Support Plate (Optional)	58679	58679	58679	58679	58679
<p>*Included in 57530 Leg Connector Kit. **Included in 57934-X for Vike Systems, 58559-17 for eVOLUTION Systems Cross Kit. *** Length "X" determined by Chore-Time Engineering. Contact your Distributor or Chore-Time Rep for replacement.</p> <p>¹ Included in 57935 Interior Floor End Bracing Kit. ² Included in 58555 Interior Floor End Bracing Kit (1450). ³ Included in 58560 Interior Floor End Bracing Kit (500). ⁴ Included in 57926 Interior Floor Idler Leg Support Kit (3 Level Houses Only). ⁵ Included in Aisle Cross Kit 57933-X, or 57936-X for Vike Systems: or 58553-X, for Standard eVOLUTION or and 58558-X for eVOLUTION Service Stations. Length "X" determined by Chore-Time Engineering.</p>						

Kit Part Numbers

Idler Leg Support Kits

57926 Interior Floor Idler Leg Support Kit		
Item	Description	Part No.
1	I. F. Idler Leg Support	57924
2	Leveling Foot Weldment	57320
3	I. F. Idler Leg Hardware	58031

System Cross Kits

57934-X System Cross Kit				
		57934-17	57934-20	57934-25
Item	Description	Part No.		
1	1750 I. F. System Cross	57922-17	--	--
	2000 I.F. System Cross	--	57922-20	--
	2500 I.F. System Cross	--	--	57922-25
2	I. F. Support Bracket	57923	57923	57923
3	I. F. Stiffener Rib	57925	57925	57925
4	M8 x 16 DIN7500D Taptite	201047	201047	201047

58559-17 500 System Cross Kit		
Item	Description	Part No.
1	Interior Floor Cross System	57922-17
2	Interior Floor Support Bracket	57923
3	500 Interior Floor Stiffener Rib	58557
4	M8 x 16 DIN7500D Taptite	201047

End Bracing Kits

57935 Interior Floor End Bracing Kit		
Item	Description	Part No.
1	Interior Floor End Brace	57918
2	Int. Floor Adjustable Splice	57919
3	Interior Floor Support Bracket	57923
4	Interior Floor Stiffener Rib	57925
5	M8 x 16 DIN7500D Taptite	201047

58555 (1450) Interior Floor End Bracing Kit		
Item	Description	Part No.
11 ³	Interior Floor End Brace	57918
12 ³	Int. Floor Adjustable Splice	57919
13	Interior Floor Support Bracket	57923
14	1450 Interior Floor Stiffener Rib	58552
15	M8 x 16 DIN7500D Taptite	201047

58560 (500) Interior Floor End Bracing Kit		
Item	Description	Part No.
11 ³	Interior Floor End Brace	57918
12 ³	Int. Floor Adjustable Splice	57919
13	Interior Floor Support Bracket	57923
14	500 Interior Floor Stiffener Rib	58557
15	M8 x 16 DIN7500D Taptite	201047

Leg Connector Kit

57530 Leg Connector Kit		
Item	Description	Part No.
1	MBU Heavy Post Extension	57398
2	MBU Front Post Extension	57399
3	MBU Idler Leg Extension	57400
4	M8 x 16 DIN7500D Taptite	201047
5	M8-1.25 DIN6923 Flange Nut	201001

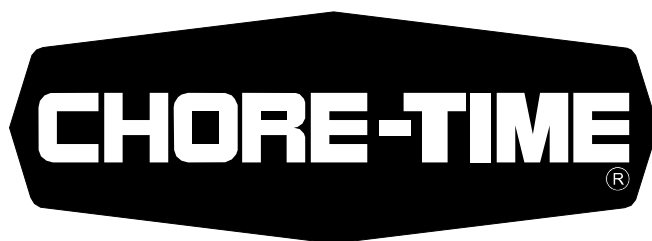
Aisle Cross Kits

58553-X 1450 Aisle Cross Kit				
		58553-13	58553-18	58553-28
Item	Description	Part No.		
1	1300 Aisle Cross	57920-13	--	--
	1800 Aisle Cross	--	57920-18	--
	2800 Aisle Cross	--	--	57920-28
2	Support Bracket	57923	57923	57923
3	1450 Stiffener Rib	58552	58552	58552
4	M8 x 16 DIN7500D Taptite	201047	201047	201047

58558-X 500 Aisle Cross Kit				
		58558-13	58558-18	58558-28
Item	Description	Part No.		
1	1300 Aisle Cross	57920-13	--	--
	1800 Aisle Cross	--	57920-18	--
	2800 Aisle Cross	--	--	57920-28
2	Support Bracket	57923	57923	57923
3	500 Stiffener Rib	58557	58557	58557
4	M8 x 16 DIN7500D Taptite	201047	201047	201047

Interior Floor Aisle Cross Kits										
		57933-12	57933-14	57933-16	57933-18	57933-20	57933-22	57933-24	57933-26	57933-28
Item	Description	Part No.								
1	1200mm Aisle Cross	57920-12	--	--	--	--	--	--	--	--
	1400mm Aisle Cross	--	57920-14	--	--	--	--	--	--	--
	1600mm Aisle Cross	--	--	57920-16	--	--	--	--	--	--
	1800mm Aisle Cross	--	--	--	57920-18	--	--	--	--	--
	2000mm Aisle Cross	--	--	--	--	57920-20	--	--	--	--
	2200mm Aisle Cross	--	--	--	--	--	57920-22	--	--	--
	2400mm Aisle Cross	--	--	--	--	--	--	57920-24	--	--
	2600mm Aisle Cross	--	--	--	--	--	--	--	57920-26	--
	2800mm Aisle Cross	--	--	--	--	--	--	--	--	57920-28
2	Support Bracket	57923	57923	57923	57923	57923	57923	57923	57923	57923
3	Stiffener Rib	57925	57925	57925	57925	57925	57925	57925	57925	57925
4	M8 x 16 DIN7500D Taptite	201047	201047	201047	201047	201047	201047	201047	201047	201047

Interior Floor Aisle Cross Kits										
		57936-12	57936-14	57936-16	57936-18	57936-20	57936-22	57936-24	57936-26	57936-28
Item	Description	Part No.								
1	1200mm Aisle Cross	57920-12	--	--	--	--	--	--	--	--
	1400mm Aisle Cross	--	57920-14	--	--	--	--	--	--	--
	1600mm Aisle Cross	--	--	57920-16	--	--	--	--	--	--
	1800mm Aisle Cross	--	--	--	57920-18	--	--	--	--	--
	2000mm Aisle Cross	--	--	--	--	57920-20	--	--	--	--
	2200mm Aisle Cross	--	--	--	--	--	57920-22	--	--	--
	2400mm Aisle Cross	--	--	--	--	--	--	57920-24	--	--
		2600mm Aisle Cross	--	--	--	--	--	--	--	57920-26
	2800mm Aisle Cross	--	--	--	--	--	--	--	--	57920-28
2	Adjustable Splice	57919	57919	57919	57919	57919	57919	57919	57919	57919
3	Support Bracket	57923	57923	57923	57923	57923	57923	57923	57923	57923
4	Stiffener Rib	57925	57925	57925	57925	57925	57925	57925	57925	57925
5	M8 x 16 DIN7500D Taptite	201047	201047	201047	201047	201047	201047	201047	201047	201047



**MADE TO WORK.
BUILT TO LAST.®**

Revisions to this Manual+

Page No.	Description of Change	ECO
	New Manual	41060

**For additional parts and information, contact your nearest Chore-Time distributor or representative.
Find your nearest distributor at: www.choretime.com/contacts**

CTB, Inc.
PO Box 2000
Milford, Indiana 46542-2000 USA
Phone (574) 658-4101 Fax (877) 730-8825
Email: choretime@choretime.com
Internet: www.choretime.com