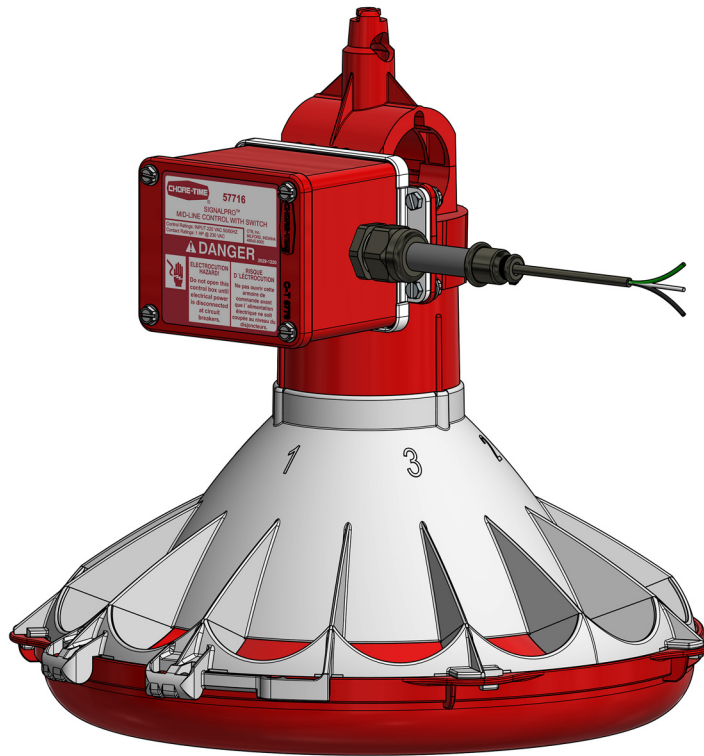


SignalPro® MidLine Control

Installation and Operators Manual

Installation and Operators Manual

Installation and Operators Manual



For additional parts and information, contact your nearest Chore-Time distributor or representative.
Find your nearest distributor at: www.choretime.com/contacts

Contents

Topic	Page
Safety	3
Safety–Alert Symbol	3
Understanding Signal Words	3
Follow Safety Instructions	3
Decal Descriptions	3
Limited Warranty	4
Planning	5
New Feeder Lines	5
Existing Feeder Lines (Retro-Fit)	5
Installation	5
Feeder Tube Outlet Holes (Retro-Fit application)	5
New Feeder Lines: Skip to next section.	5
Existing Feeder Lines (Retrofit):	5
Attaching the Mid-Line Control	6
Wiring	7
57716 Mechanical Midline Control Internal Wiring	7
57717 Midline Control with Sensor Wiring	7
Parts List	8
SignalPro® Mid Line Control with Switch 57716	8
SignalPro® Mid Line Control with Sensor 57717	10

Safety

Caution, Warning, and Danger Decals have been placed on the equipment to warn of potentially dangerous situations. Care should be taken to keep this information intact and easy to read at all times. Replace missing or damaged safety decals immediately.

Safety–Alert Symbol



This is a safety–alert symbol. When you see this symbol on your equipment, be alert to the potential for personal injury. This equipment is designed to be installed and operated as safely as possible...however, hazards do exist.

Understanding Signal Words

Signal words are used in conjunction with the safety–alert symbol to identify the severity of the warning.



DANGER—Indicates an imminently hazardous situation which, if not avoided, **WILL** result in death or serious injury.



WARNING—Indicates a potentially hazardous situation which, if not avoided, **COULD** result in death or serious injury.



CAUTION—Indicates a hazardous situation which, if not avoided, **MAY** result in minor or moderate injury.

Follow Safety Instructions

Carefully read all safety messages in this manual and on your equipment safety signs. Follow recommended precautions and safe operating practices.

Keep safety signs in good condition. Replace missing or damaged safety signs.

Decal Descriptions

DANGER: Moving Auger

This decal is placed on the End Cap Weldment and Clean-out cover. Severe personal injury will result, if the electrical power is not disconnected, prior to servicing the equipment.



DANGER: Electrical Hazard

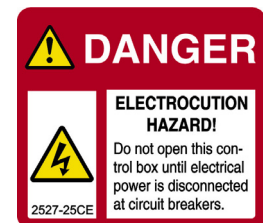
- Disconnect electrical power before inspecting or servicing equipment unless maintenance instructions specifically state otherwise.

- Ground all electrical equipment for safety.

- All electrical wiring must be done by a qualified electrician in accordance with local and national electric codes.

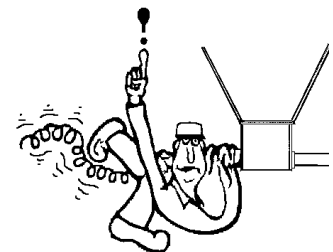
- Ground all non-current carrying metal parts to guard against electrical shock.

- Electrical disconnects and over current protection are not supplied with the equipment.



DANGER: Springing Auger

Use caution when working with Auger. Springing Auger may cause personal injury.



Attention: Read the Manual

See the manual for detailed installation instructions.



2527-91

Limited Warranty

Chore-Time Group, a division of CTB, Inc. (“Chore-Time”) warrants the new CHORE-TIME Midline Controls manufactured by Chore-Time to be free from defects in material or workmanship under normal usage and conditions, for One (1) year from the date of installation by the original purchaser (“Warranty”). Chore-Time provides for an extension of the aforementioned Warranty period (“Extended Warranty Period”) with respect to certain Product parts (“Component Part”) as set forth in the table below. If such a defect is determined by Chore-Time to exist within the applicable period, Chore-Time will, at its option, (a) repair the Product or Component Part free of charge, F.O.B. the factory of manufacture or (b) replace the Product or Component Part free of charge, F.O.B. the factory of manufacture. This Warranty is not transferable, and applies only to the original purchaser of the Product.

Component Part	Extended Warranty Period
RXL Fan (except motors and bearings)	Three (3) Years
TURBO® Fan (except motors and bearings)	Three (3) Years
TURBO® Fan fiberglass housing, polyethylene cone, and cast aluminum blade.	Lifetime of Product
TURBO® fan motor and bearings.	Two (2) Years
Chore-Time® Poultry Feeder Pan	Three (3) Years
Chore-Time® Rotating Centerless Augers (except where used in applications involving high moisture feed stuffs exceeding 17%)	Ten (10) Years
Chore-Time Steel Auger Tubes	Ten (10) Years
ULTRAFLO® Breeder Feeding System auger and feed trough.	Five (5) Years
ULTRAPAN® Feeding System augers.	Five (5) Years

CONDITIONS AND LIMITATIONS

THIS WARRANTY CONSTITUTES CHORE-TIME’S ENTIRE AND SOLE WARRANTY AND CHORE-TIME EXPRESSLY DISCLAIMS ANY AND ALL OTHER WARRANTIES, INCLUDING, BUT NOT LIMITED TO, EXPRESS AND IMPLIED WARRANTIES, INCLUDING, WITHOUT LIMITATION, WARRANTIES AS TO MERCHANTABILITY OR FITNESS FOR PARTICULAR PURPOSES. CHORE-TIME shall not be liable for any direct, indirect, incidental, consequential or special damages which any purchaser may suffer or claim to suffer as a result of any defect in the Product. Consequential or Special Damages as used herein include, but are not limited to, lost or damaged products or goods, costs of transportation, lost sales, lost orders, lost income, increased overhead, labor and incidental costs, and operational inefficiencies. *Some jurisdictions prohibit limitations on implied warranties and/or the exclusion or limitation of such damages, so these limitations and exclusions may not apply to you. This warranty gives the original purchaser specific legal rights. You may also have other rights based upon your specific jurisdiction.*

Compliance with federal, state and local rules which apply to the location, installation and use of the Product are the responsibility of the original purchaser, and CHORE-TIME shall not be liable for any damages which may result from non-compliance with such rules.

The following circumstances shall render this Warranty void:

- Modifications made to the Product not specifically delineated in the Product manual.
- Product not installed and/or operated in accordance with the instructions published by the CHORE-TIME.
- All components of the Product are not original equipment supplied by CHORE-TIME.
- Product was not purchased from and/or installed by a CHORE-TIME authorized distributor or certified representative.
- Product experienced malfunction or failure resulting from misuse, abuse, mismanagement, negligence, alteration, accident, or lack of proper maintenance, or from lightning strikes, electrical power surges or interruption of electricity.
- Product experienced corrosion, material deterioration and/or equipment malfunction caused by or consistent with the application of chemicals, minerals, sediments or other foreign elements.
- Product was used for any purpose other than for the care of poultry and livestock.

The Warranty and Extended Warranty may only be modified in writing by an officer of CHORE-TIME. CHORE-TIME shall have no obligation or responsibility for any representations or warranties made by or on behalf of any distributor, dealer, agent or certified representative.

Effective: **April, 2014**

Planning

The Mid-Line Control makes it possible to operate the feeding system when birds are confined away from the End Control Unit. Chore-Time recommends placing the Mid-Line Control Feeder at least 2 pans away from the curtain or partition. (See Figure 1.)

New Feeder Lines

Leave one Feeder Pan assembly off the Feeder Control Tube at the point where the Mid-Line Control needs to be placed. The feeder line can be assembled and suspended before attaching the Mid-Line Control; or the Mid-Line Control may be attached to the Feeder Tube when the other pans are installed.

Existing Feeder Lines (Retro-Fit)

1. Cut the Support Cone and remove the Feeder Pan at the location where the Mid-Line Control will be installed.

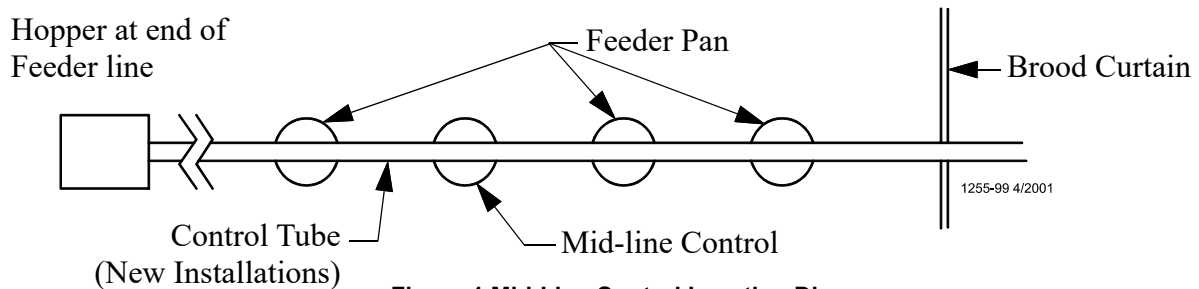


Figure 1. Mid-Line Control Location Diagram

Installation

Feeder Tube Outlet Holes (Retro-Fit application)

New Feeder Lines: Skip to next section.

Existing Feeder Lines (Retrofit):

1. Use a Uni-bit to enlarge the outlet hole to approximately 1" [2.5 cm] diameter for the Mid-Line Control.
2. Use a Uni-bit to enlarge (2) outlet holes in front (to the hopper end) of the Mid-Line Control.

Note: Use a Uni-Bit to drill the holes. Be sure there are no burrs inside the tube to catch the Auger.

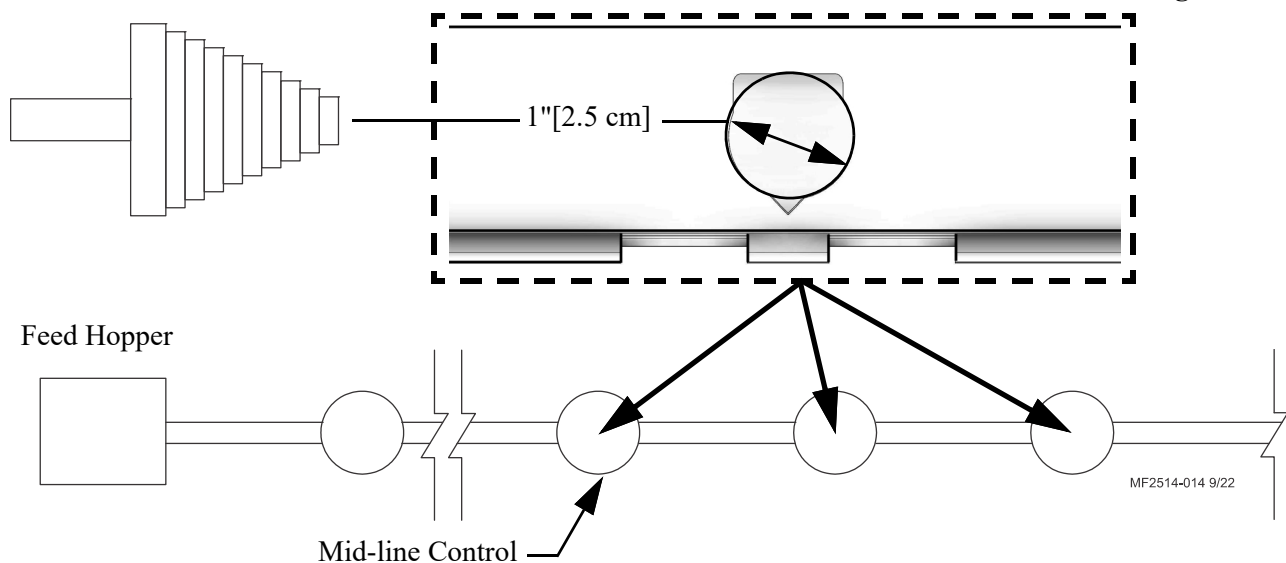


Figure 2. Drilling Holes at Midline (Retro-fit)

Attaching the Mid-Line Control

The Mid-Line Control is installed on a Control Tube. The Control Tube is a special Feed Tube that has enlarged holes required for the Mid-Line Control.

1. Attach the Mid-Line Control (**Item 1**) to the Control Tube (**Item 2**) as shown in **Figure 3**.
2. Attach the Switch Box Assembly to the Control Tube with Tube Clamps (**Item 3**).
3. Install a toggle switch, out of reach of the birds, to disconnect power to the Mid-Line Control. This allows the Mid-Line Control to serve as standard feeder when not used as a Control Feeder.
4. Wire the Mid-Line Control as shown in the wiring diagram section of this manual. Insert a Locking Pin (**Item 5**) into the slot in the Cone Cap as shown.
5. Install two Adjustable Hose Clamps (**Item 6**) to hold the Locking Pin in place and eliminate rotation of the Feeder on the Feeder Tube.

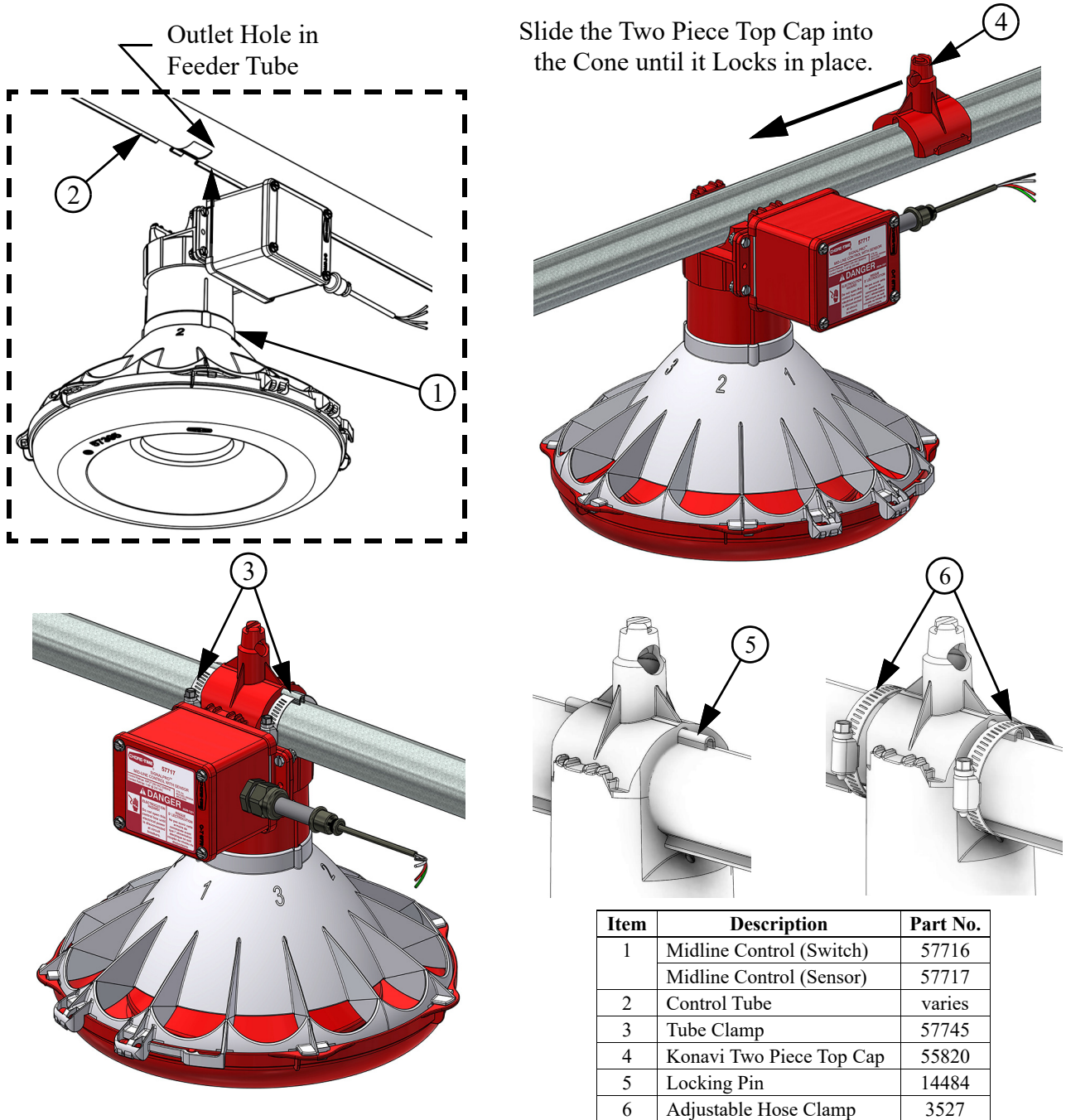
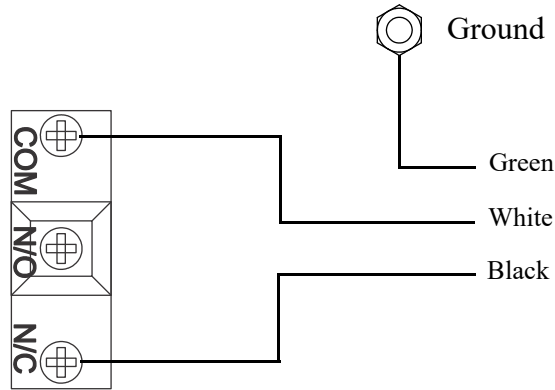


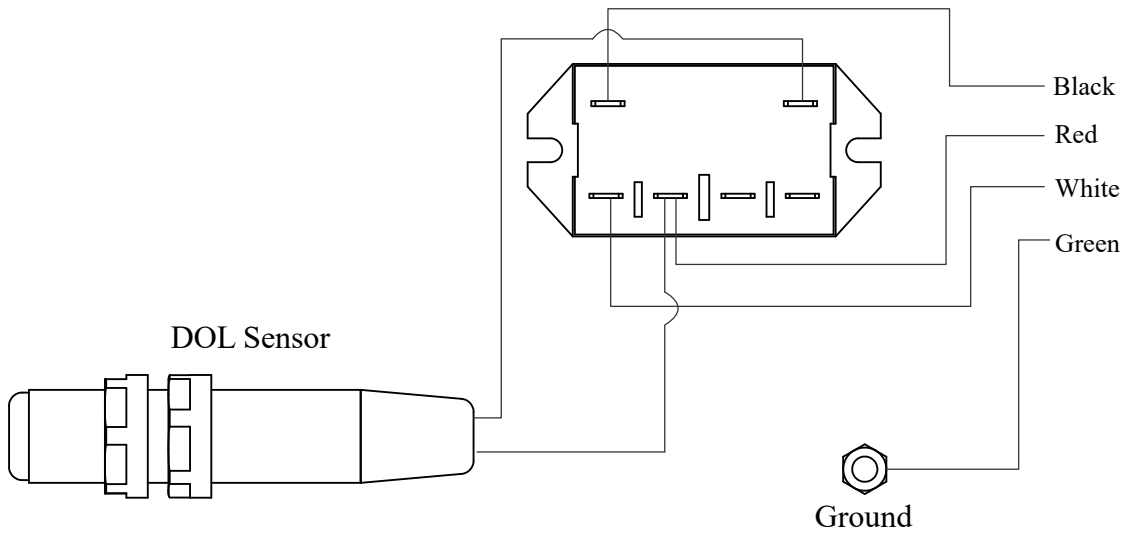
Figure 3. Installing the Mid-Line Control with Proximity Sensor

Wiring

57716 Mechanical Midline Control Internal Wiring

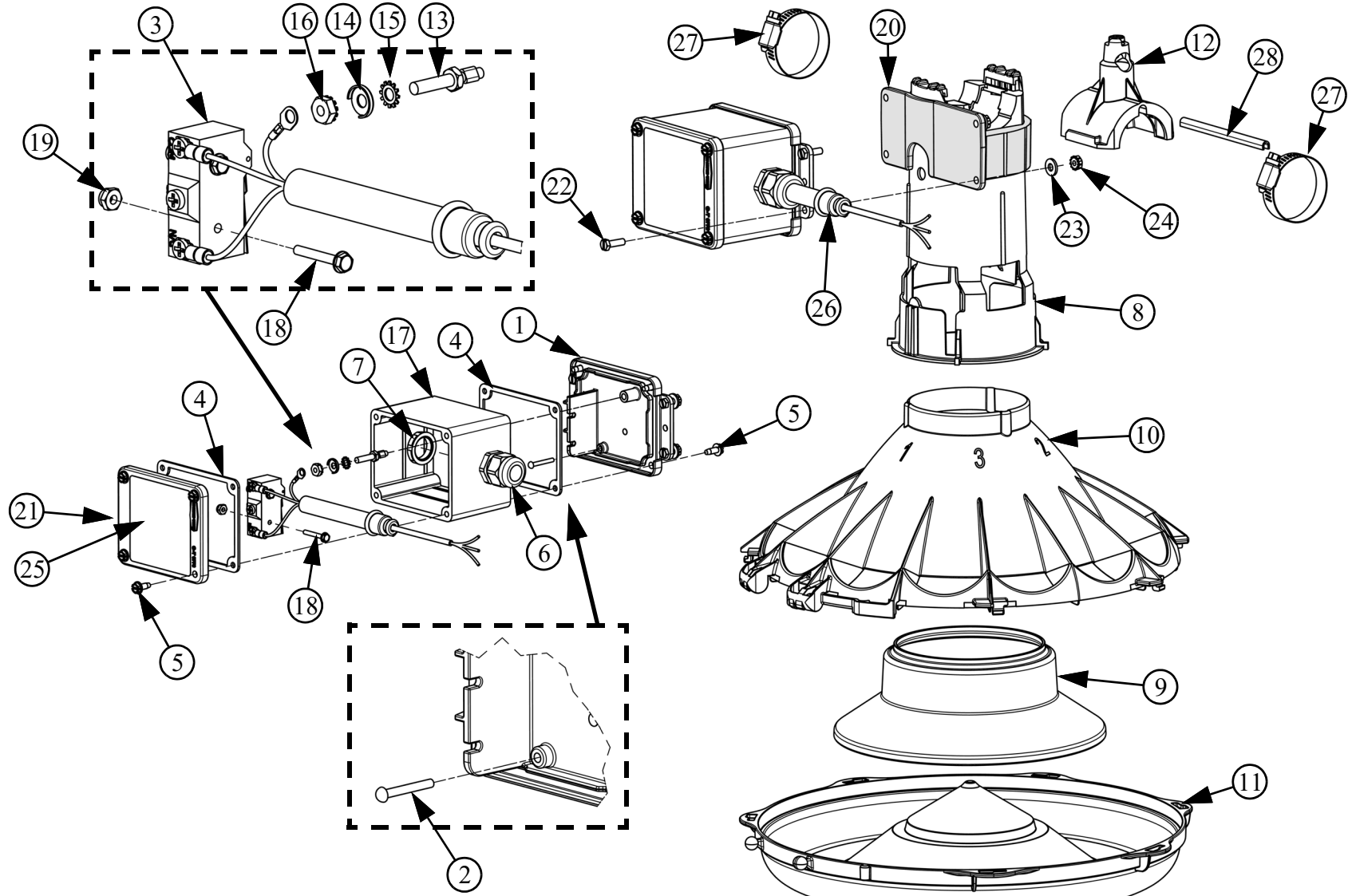


57717 Midline Control with Sensor Wiring



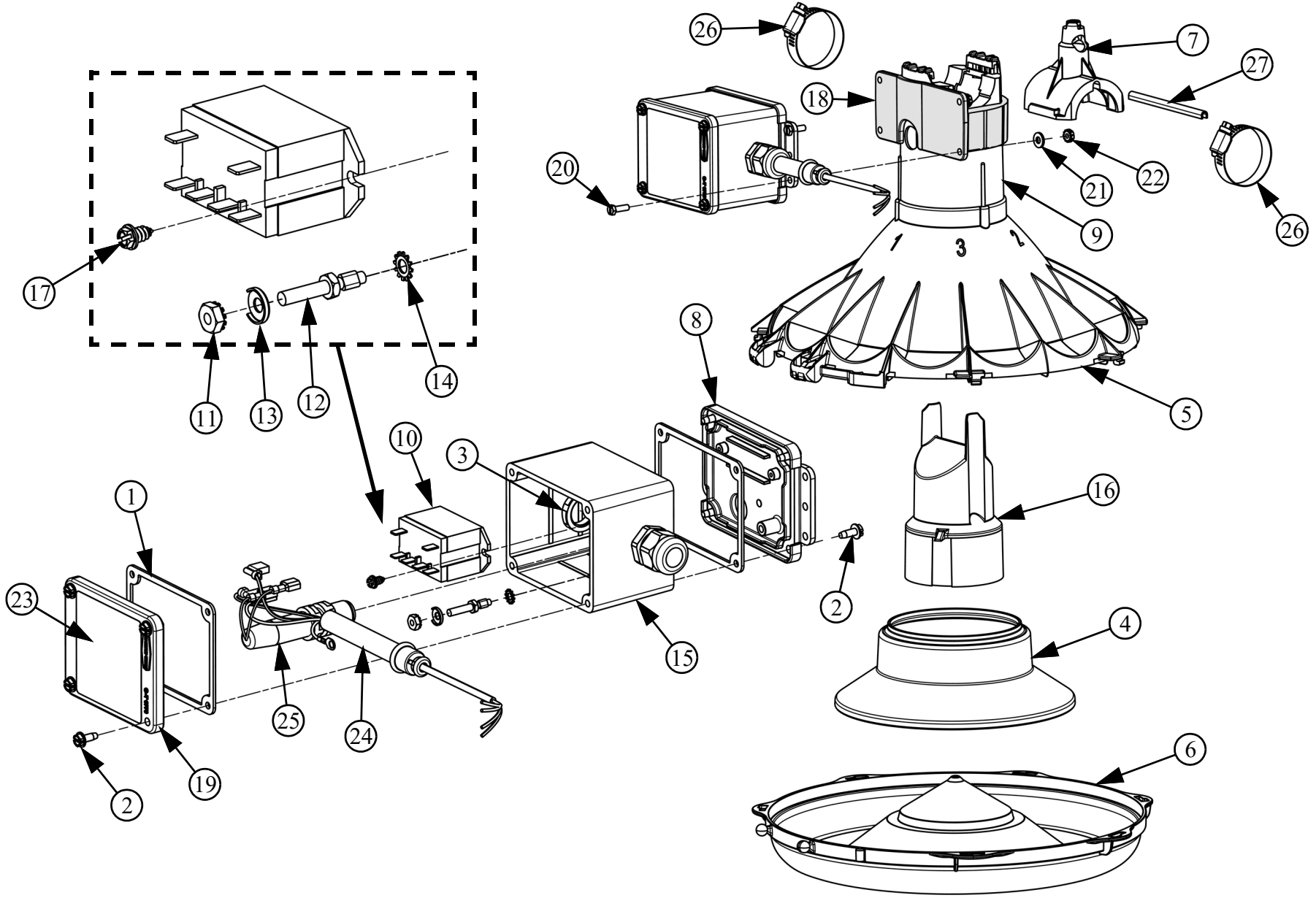
Parts List

SignalPro® Mid Line Control with Switch 57716

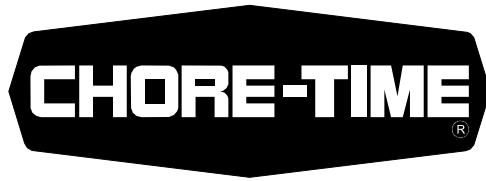


Item	Part No.	Description
1	57723	Switch Box Base
2	8757	1/8 x 1 Round Head Rivet
3	46091	Micro Basic Switch
4	6777	Switch Box Gasket
5	28075	#10 x.5 Screw
6	24685	1/2" NPT Nylon Cord Grip
7	43662	.50 Conduit Lock Nut
8	57726	SignalPro Cone Assembly
9	57355	KONAVI® Breeder Skirt
10	57396	Chick Excluder
11	57395	KONAVI® Breeder Pan
12	56753	KONAVI® Breeder Cap
13	7007	10-32/10-14 Double Ended Stud
14	5775	.203x.500x.088 Brass Cup Washer
15	305	#10 Lock Washer
16	40851	10-32 KEPS Nut
17	57930	Machined UCP Box
18	57927	6-32 Hex Bolt
19	57928	6-32 Lock Nut
20	58127	Box Mounting Bracket
21	6776R	Red Switch Box Cover
22	1876	HH SLTD 10-24x.625 Screw
23	2955-19	.221x.505x.051 Washer
24	27725	10-24 Kepnut
25	2529-1220	57716 SignalPro Mid-line Control w/Switch Decal
26	4999-49	Cord Assembly
27*	57745	1.88-2.00 Adjustable Hose Clamp
28*	14484	.25x.125 Locking Pin
*Included in 14485 Anti-Swing Kit		

SignalPro® Mid Line Control with Sensor 57717



Item	Part No.	Description
1	6777	Switch Box Gasket
2	28075	#10 x.5 Screw
3	43662	.50 Conduit Lock Nut
4	57355	KONAVI® Breeder Skirt
5	57396	Chick Excluder
6	57395	KONAVI® Breeder Pan
7	56753	KONAVI® Breeder Cap
8	57734	SignalPro Sensor Box Base
9	57728	SignalPro Machined Sensor Cone
10	28904	240 VAC Relay
11	40851	10-32 KEPS Nut
12	7007	10-32/10-14 Double Ended Stud
13	5775	.203x.500x.088 Brass Cup Washer
14	305	#10 Lock Washer
15	57930	Machined UCP Box
16	57354	Konavi Breeder Restrictor
17	13019	#8 x .375 HXWH Screw
18	58127	Box Mounting Bracket
19	6776R	Red Switch Box Cover
20	1876	HH SLTD 10-24x.625 Screw
21	57723	Switch Box Base
22	27725	10-24 Kepnut
23	2529-1221	57717 SignalPro Mid-line Control w/Sensor Decal
24	4999-114	Cord Assembly
25	58080	Doll 26 with Connector
26*	57745	1.88-2.00 Adjustable Hose Clamp
27*	14484	.25x.125 Locking Pin
*Included in 14485 Anti-Swing Kit		



MADE TO WORK.

BUILT TO LAST.®

Revisions to this Manual

Page No.	Description of Change	ECO
	New Manual	41139

**For additional parts and information, contact your nearest Chore-Time distributor or representative.
Find your nearest distributor at: www.choretime.com/contacts**

CTB, Inc.
PO Box 2000
Milford, Indiana 46542-2000 USA
Phone (574) 658-4101 Fax (877) 730-8825
Email: choretime@choretime.com
Internet: www.choretime.com